

**A4-BZ2**

**AGRÉMENT TECHNIQUE EUROPÉEN**



■ **Scell-it®** ■

## European Technical Assessment

**ETA-14/0081  
of 14/04/2014**

English translation prepared by CSTB - Original version in French language

### General Part

Nom commercial  
*Trade name*

**Scell-it A4-BZ2**

Famille de produit  
*Product family*

**Cheville métallique à expansion par vissage à couple contrôlé, de fixation dans le béton fissuré et non fissuré diamètres M8, M10 et M12**

***Torque-controlled expansion anchor for use in cracked and uncracked concrete: sizes M8, M10 and M12***

Titulaire  
*Manufacturer*

Scell-it  
28 rue Paul Dubrule  
59 854 LESQUIN  
France

Usine de fabrication  
*Manufacturing plants*

Plant 1

Cette évaluation contient:  
*This Assessment contains*

15 pages incluant 12 annexes qui font partie intégrante de cette évaluation  
*15 pages including 12 annexes which form an integral part of this assessment*

Base de l'ETE  
*Basis of ETA*

ETAG 001, Version April 2013, utilisée en tant que EAD  
*ETAG 001, Edition April 2013 used as EAD*

Cette évaluation remplace:  
*This Assessment replaces*

*Translations of this European Technical Assessment in other languages shall fully correspond to the original issued document and should be identified as such. Communication of this European Technical Assessment, including transmission by electronic means, shall be in full. However, partial reproduction may be made, with the written consent of the issuing Technical Assessment Body. Any partial reproduction has to be identified as such.*

## Specific Part

### 1 Technical description of the product

The Scell-it A4-BZ2 anchor is an anchor made of stainless steel which is placed into a drilled hole and anchored by torque-controlled expansion.

The anchor is placed into a drilled hole and anchored by torque-controlled expansion.

The illustration and the description of the product are given in Annexes A.

### 2 Specification of the intended use

The performances given in Section 3 are only valid if the anchor is used in compliance with the specifications and conditions given in Annexes B.

The provisions made in this European technical assessment are based on an assumed working life of the anchor of 50 years. The indications given on the working life cannot be interpreted as a guarantee given by the producer, but are to be regarded only as a means for choosing the right products in relation to the expected economically reasonable working life of the works.

### 3 Performance of the product

#### 3.1 Mechanical resistance and stability (BWR 1)

Essential characteristic	Performance
Characteristic tension resistance acc. ETAG001, Annex C	See Annex C 1
Characteristic shear resistance acc. ETAG001, Annex C	See Annex C 2
Characteristic tension resistance acc. CEN/TS 1992-4	See Annex C 5
Characteristic shear resistance acc. CEN/TS 1992-4	See Annex C 6
Displacements	See Annex C 9

#### 3.2 Safety in case of fire (BWR 2)

Essential characteristic	Performance
Reaction to fire	Anchorage satisfy requirements for Class A1
Characteristic tension resistance under fire acc. ETAG001, Annex C	See Annex C 3
Characteristic shear resistance under fire acc. ETAG001, Annex C	See Annex C 4
Characteristic tension resistance under fire acc. CEN/TS 1992-4	See Annex C 7
Characteristic shear resistance under fire acc. CEN/TS 1992-4	See Annex C 8

#### 3.3 Hygiene, health and the environment (BWR 3)

Regarding dangerous substances contained in this European technical approval, there may be requirements applicable to the products falling within its scope (e.g. transposed European legislation and national laws, regulations and administrative provisions). In order to meet the provisions of the Construction Products Directive, these requirements need also to be complied with, when and where they apply.



**3.4 Safety in use (BWR 4)**

For Basic requirement Safety in use the same criteria are valid as for Basic Requirement Mechanical resistance and stability.

**3.5 Protection against noise (BWR 5)**

Not relevant.

**3.6 Energy economy and heat retention (BWR 6)**

Not relevant.

**3.7 Sustainable use of natural resources ( BWR 7)**

For the sustainable use of natural resources no performance was determined for this product.

**3.8 General aspects relating to fitness for use**

Durability and Serviceability are only ensured if the specifications of intended use according to Annex B 1 are kept.

**4 Assessment and verification of constancy of performance (AVCP)**

According to the Decision 96/582/EC of the European Commission<sup>1</sup>, as amended, the system of assessment and verification of constancy of performance (see Annex V to Regulation (EU) No 305/2011) given in the following table apply.

Product	Intended use	Level class	or	System
Metal anchors for use in concrete	For fixing and/or supporting to concrete, structural elements (which contributes to the stability of the works) or heavy units	—		1

**5 Technical details necessary for the implementation of the AVCP system**

Technical details necessary for the implementation of the Assessment and verification of constancy of performance (AVCP) system are laid down in the control plan deposited at Centre Scientifique et Technique du Bâtiment.

The manufacturer shall, on the basis of a contract, involve a notified body approved in the field of anchors for issuing the certificate of conformity CE based on the control plan.

**The original French version is signed by**

Charles Baloche  
Technical Director

---

<sup>1</sup> Official Journal of the European Communities L 254 of 08.10.1996

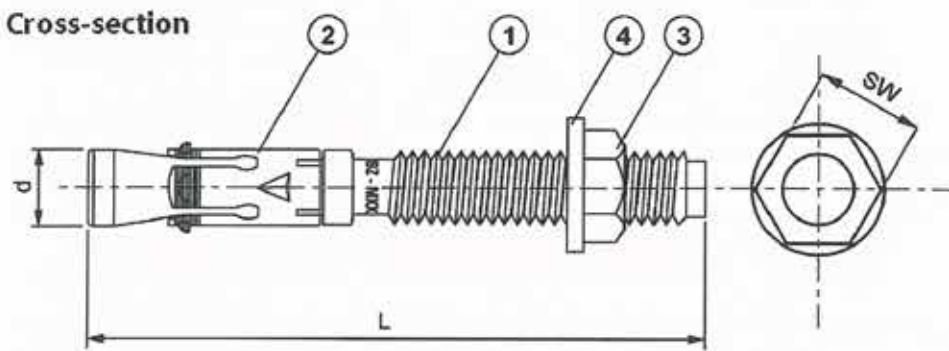
**A4-BZ2 stainless steel anchor:**



**Marking on the bolt:**

A4 followed by MX-L where  
 MX = thread diameter  
 L = total length

**Different parts of the anchor:**



Material: 1.4401;1.4404;1.4571;1.4362;1.4578

**Table 1: Materials**

Part	Designation	Material	Protection
1	Bolt	Stainless steel A4 SS316 <sup>1)</sup>	-
2	Expansion clip	Stainless steel A4 SS316 <sup>1)</sup>	Coated
3	Washer	ISO 3506-1 Stainless steel SS316 <sup>1)</sup> DIN 125, DIN 9021, or EN ISO 7089	-
4	Hexagonal nut	ISO 3506-2 Stainless steel SS316 (A4-70) DIN 934 or DIN EN ISO 4032 SS316 (A4-70) acc. To ISO 3506	-

1) Material: 1.4401;1.4404;1.4571;1.4362;1.4578

Scell-it A4-BZ2 anchor

Product description  
 Materials

Annex A1

## Specifications of intended use

### Anchorage subject to:

- Static, quasi-static and fire.

### Base materials:

- Cracked concrete and non-cracked concrete
- Reinforced or unreinforced normal weight concrete of strength classes C 20/25 at least to C50/60 at most according to ENV 206: 2000-12.

### Use conditions (Environmental conditions):

- The anchor may be used in concrete subject to dry internal conditions and also in concrete subject to external atmospheric exposure (including industrial and marine environment), or exposure in permanently damp internal conditions, if no particular aggressive conditions exist. Such particular aggressive conditions are e.g. permanent, alternating immersion in seawater or the splash zone of seawater, chloride atmosphere of indoor swimming pools or atmosphere with extreme chemical pollution (e.g. in desulphurization plants or road tunnels where de-icing materials are used).

### Design:

- The anchorages are designed in accordance with the ETAG001 Annex C "Design Method for Anchorages" or CEN/TS 1992-4-4 "Design of fastenings for use in concrete" under the responsibility of an engineer experienced in anchorages and concrete work.
- For application with resistance under fire exposure the anchorages are designed in accordance with method given in TR020 "Evaluation of Anchorage in Concrete concerning Resistance to Fire".
- Verifiable calculation notes and drawings are prepared taking account of the loads to be anchored. The position of the anchor is indicated on the design drawings.

### Installation:

- Anchor installation carried out by appropriately qualified personnel and under the supervision of the person responsible for technical matters of the site.
- Use of the anchor only as supplied by the manufacturer without exchanging the components of an anchor.
- Anchor installation in accordance with the manufacturer's specifications and drawings and using the appropriate tools.
- Effective anchorage depth, edge distances and spacing not less than the specified values without minus tolerances.
- Hole drilling by hammer drill.
- Cleaning of the hole of drilling dust.
- Application of specified torque moment using a calibrated torque wrench.
- In case of aborted hole, drilling of new hole at a minimum distance of twice the depth of the aborted hole, or smaller distance provided the aborted drill hole is filled with high strength mortar and no shear or oblique tension loads in the direction of aborted hole.

Scell-it A4-BZ2 anchor

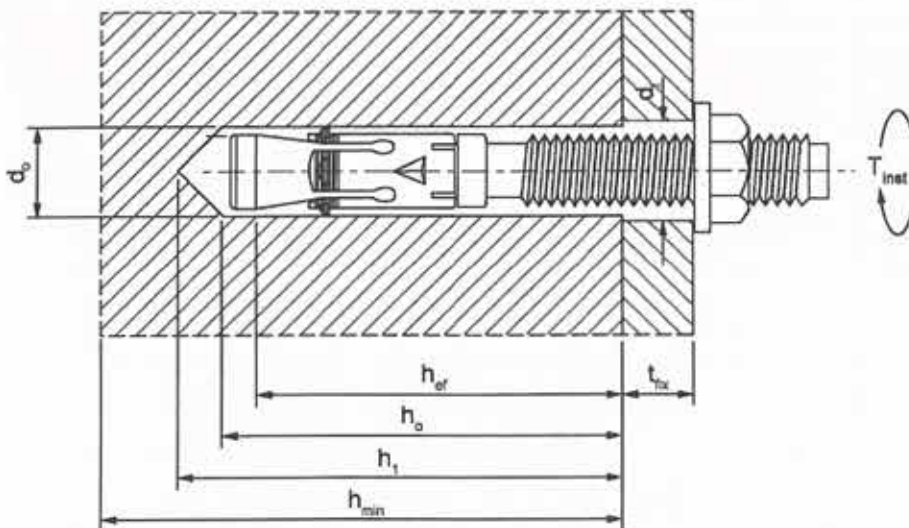
Intended Use  
Specifications

Annex B1



			M8	M10	M12	
Length of the anchor	Min.	L	[mm]	75	90	110
	Max.		[mm]	160	180	180
Fixture thickness	Min.	$t_{fix}$	[mm]	1	1	1
	Max.		[mm]	90	90	80
Length expansion sleeve		$l_{clip}$	[mm]	13.5	18.0	21.5
Width torque wrench		SW	[mm]	13	17	19

			M8	M10	M12
Drill hole diameter	$d_0$	[mm]	$\leq 8,45$	$\leq 10,45$	$\leq 12,50$
Drill hole depth	$h_1$	[mm]	60	75	85
Embedment depth	$h_{ef}$	[mm]	45	60	70
Installation torque	$T_{inst}$	[Nm]	20	45	60
Diameter through hole fixture	$d_f$	[mm]	9	12	14
Min. member thickness	$h_{min}$	[mm]	100	120	140
Minimum edge distance	$c_{min}$	[mm]	70	80	90
Minimum spacing	$s_{min}$	[mm]	70	80	90



Scell-it A4-BZ2 anchor

Intended Use  
 Installation parameters

Annex B2

**Table 4: Characteristic values for tension loads in case of static and quasi static loading for design method A acc. ETAG001, Annex C**

			M8	M10	M12	
<b>Steel failure</b>						
Char. resistance	$N_{RK,s}$	[kN]	19,1	30,9	49,6	
Partial safety factor	$\gamma_{Ms}^{1)}$	[-]	1,5			
<b>Pullout failure <math>N_{RK,p} = \Psi_c \times N_{RK,p}^0</math></b>						
Char. resistance in concrete C20/25	cracked	$N_{RK,p}^0$	[kN]	2,0	6,0	12,0
	non-cracked	$N_{RK,p}^0$	[kN]	6,0	12,0	16,0
Partial safety factor for cracked or non-cracked concrete	$\gamma_{Mp}^{1)}$	[-]	1,8 <sup>2)</sup>			
Increasing factor for $N_{RK}$	concrete C30/37	$\Psi_c$	[-]	1,06		
	concrete C40/50		[-]	1,11		
	concrete C50/60		[-]	1,14		
<b>Concrete cone failure and splitting failure</b>						
Effective embedment depth	$h_{ef}$	[mm]	45	60	70	
Partial safety factor for cracked or non-cracked concrete	$\gamma_{Mc} = \gamma_{Msp}^{1)}$		1,8 <sup>2)</sup>			
Increasing factor for $N_{RK}$	concrete C30/37	$\Psi_c$	[-]	1,06		
	concrete C40/50		[-]	1,11		
	concrete C50/60		[-]	1,14		
Char. spacing	concrete cone failure	$s_{cr,N}$	[mm]	135	180	210
	splitting failure	$s_{cr,sp}$	[mm]	200	290	420
Char. edge distance	concrete cone failure	$c_{cr,N}$	[mm]	67,5	90	105
	splitting failure	$c_{cr,sp}$	[mm]	100	145	210

<sup>1)</sup> In absence of other national regulations

<sup>2)</sup> The value contains an installation safety factor  $\gamma_2 = 1.2$

**Scell-it A4-BZ2 anchor**

Design according to **ETAG001, Annex C**  
 Characteristic resistance under tension loads

**Annex C1**



**Table 5: Characteristic values for shear loads in case of static and quasi static loading for design design method A acc. ETAG001, Annex C**

			M8	M10	M12
<b>Steel failure without lever arm</b>					
Char. resistance	$V_{Rk,s}$	[kN]	10,8	17,1	24,9
Partial safety factor	$\gamma_{Ms}^{1)}$	[-]	1,25		
<b>Steel failure with lever arm</b>					
Char. bending resistance	$M_{Rk,s}^0$	[Nm]	22,1	44,1	77,3
Partial safety factor	$\gamma_{Ms}^{1)}$	[-]	1,25		
<b>Concrete pry-out failure</b>					
Factor in equation (5.6) of ETAG Annex C, § 5.2.3.3	k	[-]	1,0	2,0	2,0
Partial safety factor	$\gamma_{Mc}^{1)}$	[-]	1,5		
<b>Concrete edge failure</b>					
Effective length of anchor under shear loading	$l_f$	[mm]	45	60	70
Outside diameter of anchor	$d_{nom}$	[mm]	8	10	12
Partial safety factor	$\gamma_{Mc}^{1)}$	[-]	1,5		

<sup>1)</sup> In absence of other national regulations

**Scell-it A4-BZ2 anchor**

Design according to **ETAG001, Annex C**  
 Characteristic resistance under shear loads

**Annex C2**

**Table 6: Characteristic tension resistance in cracked and non-cracked concrete under fire exposure for design method A acc. ETAG001, Annex C**

			M8	M10	M12
<b>Steel failure</b>					
Characteristic resistance	R30 $N_{Rk,s,fi}$	[kN]	0,7	1,5	2,5
	R60 $N_{Rk,s,fi}$	[kN]	0,6	1,2	2,1
	R90 $N_{Rk,s,fi}$	[kN]	0,4	0,9	1,7
	R120 $N_{Rk,s,fi}$	[kN]	0,4	0,8	1,3
<b>Pullout failure (cracked and non-cracked concrete)</b>					
Char. resistance in concrete $\geq$ C20/25	R30 $N_{Rk,p,fi}$	[kN]	0,5	1,5	3,0
	R60 $N_{Rk,p,fi}$	[kN]	0,5	1,5	3,0
	R90 $N_{Rk,p,fi}$	[kN]	0,5	1,5	3,0
	R120 $N_{Rk,p,fi}$	[kN]	0,4	1,2	2,4
<b>Concrete cone and splitting failure<sup>2)</sup> (cracked and non-cracked concrete)</b>					
Char. resistance in concrete $\geq$ C20/25	R30 $N^0_{Rk,c,fi}$	[kN]	2,4	5,0	7,4
	R60 $N^0_{Rk,c,fi}$	[kN]	2,4	5,0	7,4
	R90 $N^0_{Rk,c,fi}$	[kN]	2,4	5,0	7,4
	R120 $N^0_{Rk,c,fi}$	[kN]	2,0	4,0	5,9
Characteristic spacing	$s_{cr,N,fi}$	[mm]	180	240	280
Characteristic edge distance	$c_{cr,N,fi}$	[mm]	90	120	140

<sup>1)</sup> Design under fire exposure is performed according to the design method given in TR 020. Under fire exposure usually cracked concrete is assumed. The design equations are given in TR 020, Section 2.2.1.

<sup>2)</sup> As a rule, splitting failure can be neglected when cracked concrete and reinforcement is assumed.

TR 020 covers design for fire exposure from one side. For fire attack from more than one side the edge distance must be increased to  $c_{min} \geq 300$  mm and  $\geq 2 \cdot h_{ef}$ .

Scell-it A4-BZ2 anchor

Design according to ETAG001, Annex C  
 Characteristic tension resistance under fire exposure

Annex C3

**Table 7: Characteristic shear resistance in cracked and non-cracked concrete under fire exposure for design method A acc. ETAG001, Annex C**

			M8	M10	M12
<b>Steel failure without lever arm</b>					
Characteristic resistance	R30 $V_{Rk,s,fi}$	[kN]	0,7	1,5	2,5
	R60 $V_{Rk,s,fi}$	[kN]	0,6	1,2	2,1
	R90 $V_{Rk,s,fi}$	[kN]	0,4	0,9	1,7
	R120 $V_{Rk,s,fi}$	[kN]	0,4	0,8	1,3
<b>Steel failure with lever arm</b>					
Characteristic bending moment	R30 $M_{Rk,s,fi}^0$	[Nm]	0,75	1,9	3,9
	R60 $M_{Rk,s,fi}^0$	[Nm]	0,60	1,5	3,3
	R90 $M_{Rk,s,fi}^0$	[Nm]	0,45	1,2	2,6
	R120 $M_{Rk,s,fi}^0$	[Nm]	0,37	1,0	2,1
<b>Concrete pry-out failure</b>					
Factor in equation (5.6) of ETAG Annex C, § 5.2.3.3	k	[-]	1,0	2,0	2,0
Characteristic resistance	R30 $V_{Rk,cp,fi}$	[kN]	2,4	10,0	14,8
	R60 $V_{Rk,cp,fi}$	[kN]	2,4	10,0	14,8
	R90 $V_{Rk,cp,fi}$	[kN]	2,4	10,0	14,8
	R120 $V_{Rk,cp,fi}$	[kN]	2,0	8,0	11,8
<b>Concrete edge failure</b>					
Eff. length of anchor under shear loading	$l_f$	[mm]	45	60	70
Outside diameter of anchor	$d_{nom}$	[mm]	8	10	12

<sup>1)</sup> Design under fire exposure is performed according to the design method given in TR 020. Under fire exposure usually cracked concrete is assumed. The design equations are given in TR 020, Section 2.2.2.

TR 020 covers design for fire exposure from one side. For fire attack from more than one side the edge distance must be increased to  $c_{min} \geq 300$  mm and  $\geq 2 \cdot h_{ef}$ .

**Scell-it A4-BZ2 anchor**

Design according to **ETAG001, Annex C**  
 Characteristic shear resistance under fire exposure

**Annex C4**



**Table 8: Characteristic values for tension loads in case of static and quasi static loading for design design method A acc. CEN/TS 1992-4**

			M8	M10	M12	
<b>Steel failure</b>						
Char. resistance	$N_{Rk,s}$	[kN]	19,1	30,9	49,6	
Partial safety factor	$\gamma_{Ms}^{1)}$	[-]	1,5			
<b>Pullout failure <math>N_{Rk,p} = \Psi_c \times N_{Rk,p}^0</math></b>						
Char. resistance in concrete C20/25	cracked	$N_{Rk,p}^0$	[kN]	2,0	6,0	12,0
	non-cracked	$N_{Rk,p}^0$	[kN]	6,0	12,0	16,0
Partial safety factor for cracked or non-cracked concrete	$\gamma_{Mp}^{1)}$	[-]	1,8 <sup>2)</sup>			
Increasing factor for $N_{Rk,p}$	concrete C30/37	$\Psi_c$	[-]	1,06		
	concrete C40/50		[-]	1,11		
	concrete C50/60		[-]	1,14		
<b>Concrete cone failure and splitting failure</b>						
Effective embedment depth	$h_{ef}$	[mm]	45	60	70	
Factor for cracked concrete	$k_{cr}$		7,2			
Factor for non cracked concrete	$k_{ucr}$		10,1			
Partial safety factor	$\gamma_{Mc} = \gamma_{Msp}^{1)}$		1,8 <sup>2)</sup>			
Char. spacing	concrete cone failure	$s_{cr,N}$	[mm]	135	180	210
	splitting failure	$s_{cr,sp}$	[mm]	200	290	420
Char. edge distance	concrete cone failure	$c_{cr,N}$	[mm]	67,5	90	105
	splitting failure	$c_{cr,sp}$	[mm]	100	145	210

<sup>1)</sup> In absence of other national regulations

<sup>2)</sup> The value contains an installation safety factor  $\gamma_2 = 1.2$

Scell-it A4-BZ2 anchor

Design according to **CEN/TS 1992-4**

Characteristic resistance under tension loads

Annex C5

**Table 9: Characteristic values for shear loads in case of static and quasi static loading for design design method A acc. CEN/TS 1992-4**

			M8	M10	M12
<b>Steel failure without lever arm</b>					
Char. resistance	$V_{Rk,s}$	[kN]	10,8	17,1	24,9
Factor considering ductility	$k_2$	[-]	0,8		
Partial safety factor	$\gamma_{Ms}^{1)}$	[-]	1,25		
<b>Steel failure with lever arm</b>					
Char. bending moment	$M_{Rk,s}^0$	[Nm]	22,1	44,1	77,3
Partial safety factor	$\gamma_{Ms}^{1)}$	[-]	1,25		
<b>Concrete pry-out failure</b>					
Factor in equation (16) of CEN TS 1992-4-4, § 6.2.2.3	$k_3$	[-]	1,0	2,0	2,0
Partial safety factor	$\gamma_{Mc}^{1)}$	[-]	1,5		
<b>Concrete edge failure</b>					
Effective length of anchor under shear loading	$l_r$	[mm]	45	60	70
Outside diameter of anchor	$d_{nom}$	[mm]	8	10	12
Partial safety factor	$\gamma_{Mc}^{1)}$	[-]	1,5		

<sup>1)</sup> In absence of other national regulations

**Scell-it A4-BZ2 anchor**

Design according to **CEN/TS 1992-4**  
 Characteristic resistance under shear loads

**Annex C6**

**Table 10: Characteristic tension resistance in cracked and non-cracked concrete under fire exposure for design method A acc. CEN/TS 1992-4**

			M8	M10	M12
<b>Steel failure</b>					
Characteristic resistance	R30 $N_{Rk,s,fi}$	[kN]	0,7	1,5	2,5
	R60 $N_{Rk,s,fi}$	[kN]	0,6	1,2	2,1
	R90 $N_{Rk,s,fi}$	[kN]	0,4	0,9	1,7
	R120 $N_{Rk,s,fi}$	[kN]	0,4	0,8	1,3
<b>Pullout failure (cracked and non-cracked concrete)</b>					
Char. resistance in concrete $\geq$ C20/25	R30 $N_{Rk,p,fi}$	[kN]	0,5	1,5	3,0
	R60 $N_{Rk,p,fi}$	[kN]	0,5	1,5	3,0
	R90 $N_{Rk,p,fi}$	[kN]	0,5	1,5	3,0
	R120 $N_{Rk,p,fi}$	[kN]	0,4	1,2	2,4
<b>Concrete cone and splitting failure<sup>2)</sup> (cracked and non-cracked concrete)</b>					
Char. resistance in concrete $\geq$ C20/25	R30 $N_{Rk,c,fi}^0$	[kN]	2,4	5,0	7,4
	R60 $N_{Rk,c,fi}^0$	[kN]	2,4	5,0	7,4
	R90 $N_{Rk,c,fi}^0$	[kN]	2,4	5,0	7,4
	R120 $N_{Rk,c,fi}^0$	[kN]	2,0	4,0	5,9
Characteristic spacing	$s_{cr,N,fi}$	[mm]	180	240	280
Characteristic edge distance	$c_{cr,N,fi}$	[mm]	90	120	140

<sup>1)</sup> Design under fire exposure is performed according to the design method given in TR 020. Under fire exposure usually cracked concrete is assumed. The design equations are given in TR 020, Section 2.2.1.

<sup>2)</sup> As a rule, splitting failure can be neglected when cracked concrete and reinforcement is assumed.

TR 020 covers design for fire exposure from one side. For fire attack from more than one side the edge distance must be increased to  $c_{min} \geq 300$  mm and  $\geq 2 \cdot h_{ef}$ .

Scell-it A4-BZ2 anchor

Design according to **CEN/TS 1992-4**  
 Characteristic tension resistance under fire exposure

Annex C7



**Table 11: Characteristic shear resistance in cracked and non-cracked concrete under fire exposure for design method A acc. CEN/TS 1992-4**

			M8	M10	M12
<b>Steel failure without lever arm</b>					
Characteristic resistance	R30 $V_{Rk,s,fi}$	[kN]	0,7	1,5	2,5
	R60 $V_{Rk,s,fi}$	[kN]	0,6	1,2	2,1
	R90 $V_{Rk,s,fi}$	[kN]	0,4	0,9	1,7
	R120 $V_{Rk,s,fi}$	[kN]	0,4	0,8	1,3
<b>Steel failure with lever arm</b>					
Characteristic bending moment	R30 $M^0_{Rk,s,fi}$	[Nm]	0,75	1,9	3,9
	R60 $M^0_{Rk,s,fi}$	[Nm]	0,60	1,5	3,3
	R90 $M^0_{Rk,s,fi}$	[Nm]	0,45	1,2	2,6
	R120 $M^0_{Rk,s,fi}$	[Nm]	0,37	1,0	2,1
<b>Concrete pry-out failure</b>					
Factor in equation (16) of CEN TS 1992-4-4, § 6.2.2.3	$k_3$	[-]	1,0	2,0	2,0
Characteristic resistance	R30 $V_{Rk,cp,fi}$	[kN]	2,4	10,0	14,8
	R60 $V_{Rk,cp,fi}$	[kN]	2,4	10,0	14,8
	R90 $V_{Rk,cp,fi}$	[kN]	2,4	10,0	14,8
	R120 $V_{Rk,cp,fi}$	[kN]	2,0	8,0	11,8
<b>Concrete edge failure</b>					
Eff. length of anchor under shear loading	$l_f$	[mm]	45	60	70
Outside diameter of anchor	$d_{nom}$	[mm]	8	10	12

<sup>1)</sup> Design under fire exposure is performed according to the design method given in TR 020. Under fire exposure usually cracked concrete is assumed. The design equations are given in TR 020, Section 2.2.2.

TR 020 covers design for fire exposure from one side. For fire attack from more than one side the edge distance must be increased to  $c_{min} \geq 300$  mm and  $\geq 2 \cdot h_{ef}$ .

Scell-it A4-BZ2 anchor

Design according to **CEN/TS 1992-4**  
 Characteristic shear resistance under fire exposure

Annex C8

Table 12: Displacements under tension loading

		M8	M10	M12
<b>Tension load in non-cracked concrete C20/25</b>				
Displacement	$\delta_{N0}$ [mm/(N/mm <sup>2</sup> )]	0,5	0,3	0,2
	$\delta_{N\infty}$ [mm/(N/mm <sup>2</sup> )]	1,7	0,7	0,4
<b>Tension load in non-cracked concrete C50/60</b>				
Displacement	$\delta_{N0}$ [mm/(N/mm <sup>2</sup> )]	0,4	0,2	0,1
	$\delta_{N\infty}$ [mm/(N/mm <sup>2</sup> )]	1,7	0,7	0,4
<b>Tension load in cracked concrete C20/25</b>				
Displacement	$\delta_{N0}$ [mm/(N/mm <sup>2</sup> )]	0,6	0,5	0,4
	$\delta_{N\infty}$ [mm/(N/mm <sup>2</sup> )]	1,7	0,7	0,4
<b>Tension load in cracked concrete C50/60</b>				
Displacement	$\delta_{N0}$ [mm/(N/mm <sup>2</sup> )]	0,1	0,1	0,1
	$\delta_{N\infty}$ [mm/(N/mm <sup>2</sup> )]	1,7	0,7	0,4

Table 14: Displacements under shear loads

		M8	M10	M12
<b>Shear load in cracked and non-cracked concrete C20/25 to C50/60</b>				
Displacement	$\delta_{V0}$ [mm/(N/mm <sup>2</sup> )]	0,4	0,3	0,2
	$\delta_{V\infty}$ [mm/(N/mm <sup>2</sup> )]	0,6	0,5	0,3

Additional displacement due to anular gap between anchor and fixture is to be taken into account.

Scell-it A4-BZ2 anchor

Design  
 Displacements

Annex C9