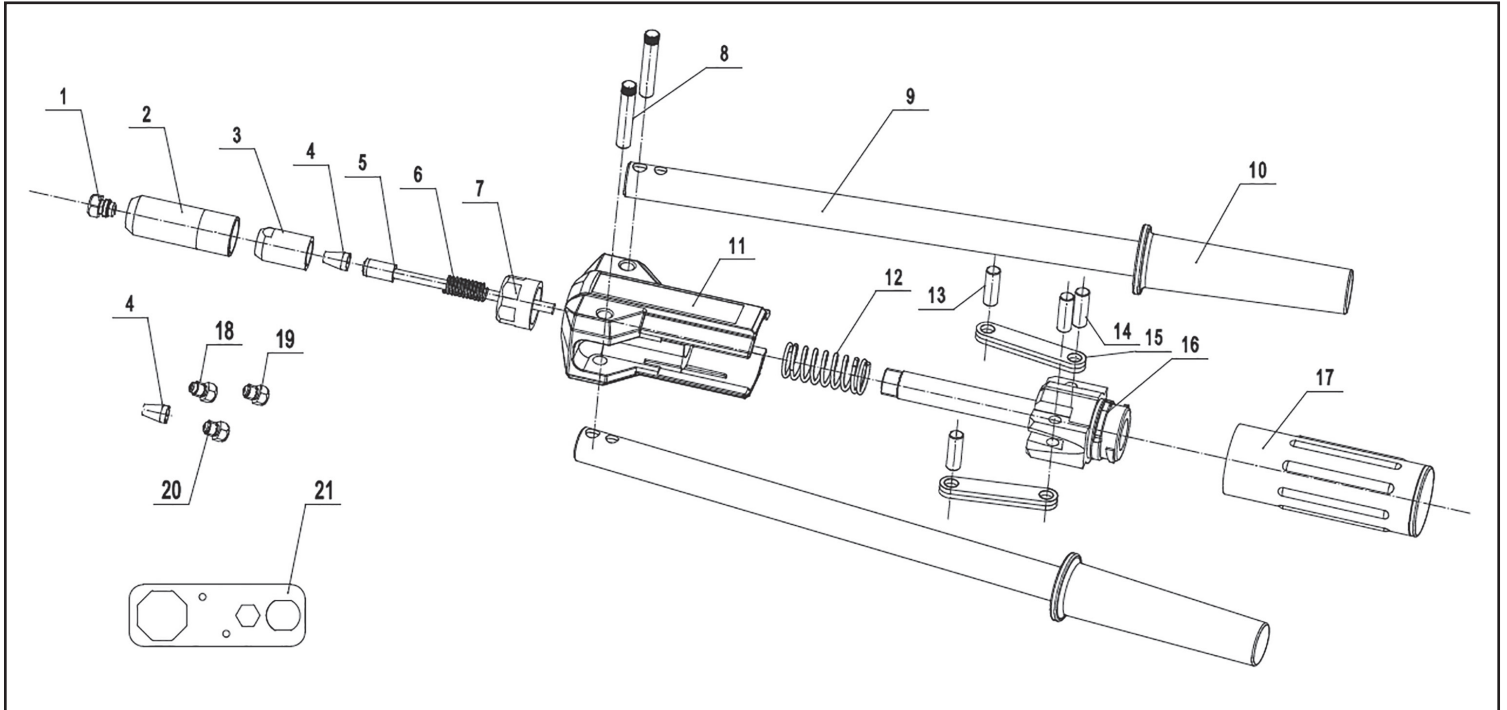


# PINCE À LEVIER POUR RIVETS AVEUGLES Ø3.0-6.4MM

## E-640RV

### NOUVELLE GÉNÉRATION

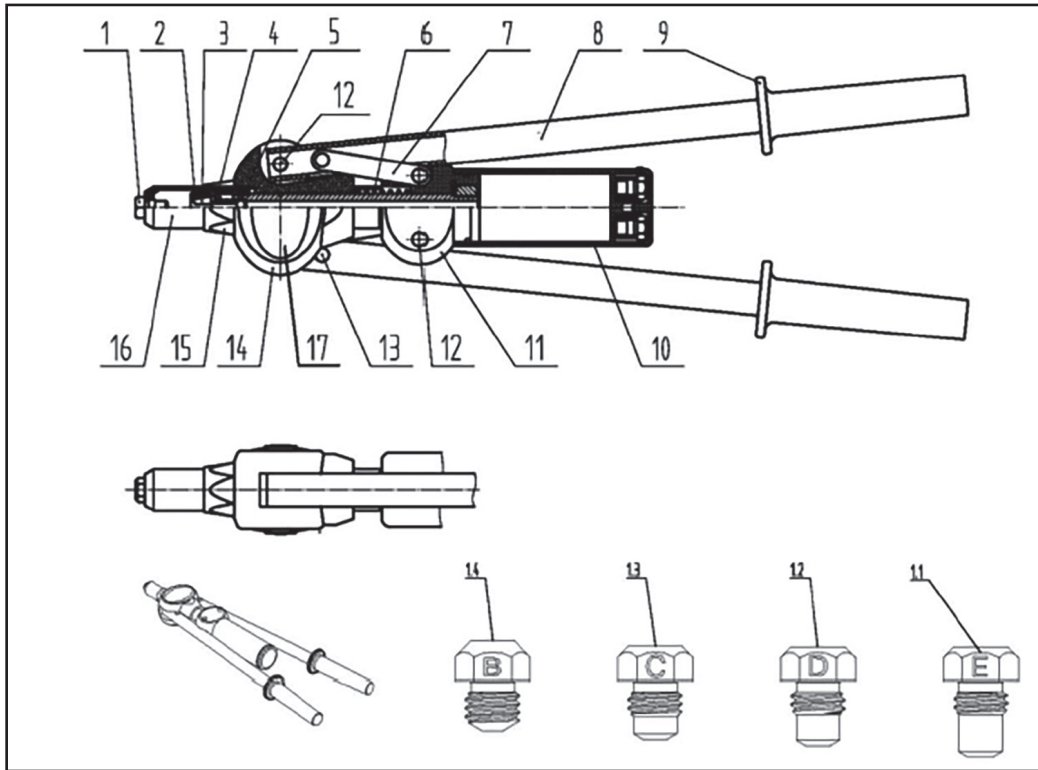


N°	Référence	Pièce
1	<b>E-640RV-NEZ-64</b>	Nosepiece 6.4mm/H
2	<b>E-640RV-SP02</b>	Front sleeve
3	<b>E-640RV-SP03</b>	Clamping sleeve
4	<b>MORS-E640RV</b>	3-jaws
5	<b>E-640RV-SP05</b>	Pusher 6.4mm
6	<b>E-640RV-SP06</b>	Pusher spring
7	<b>P00602-00</b>	Retaining nut
8	<b>P01029-00</b>	Pin
9	<b>P01008-00-98</b>	Lever tube
10	<b>P01009-00-00</b>	Lever tube
11	<b>A00245-01</b>	Body
12	<b>P00610-00</b>	Spring
13	<b>P01002-00</b>	Lever pin
14	<b>P01003-00</b>	Pin
15	<b>P00609-00</b>	Lever plate
16	<b>E-640RV-SP16</b>	Rear body
17	<b>E-640RV-SP17</b>	Mandrel collector
18	<b>NEZ-40</b>	Nosepiece 4.0mm/C
19	<b>NEZ-50</b>	Nosepiece 4.8mm/E
20	<b>NEZ-32-SP20</b>	Nosepiece 3.2mm/B
21	<b>E-640RV-SP21</b>	Wrench

# PINCE À LEVIER POUR RIVETS AVEUGLES Ø3.0-6.4MM

## E-640RV

### ANCIENNE GÉNÉRATION



N°	Référence	Pièce	Nb pièces/outil
1	<b>E-NEZ-RA-64</b>	NosepieceF(6.4)	1
1.1	<b>E-NEZ-RA-60</b>	NosepieceE(6.0)	1
1.2	<b>E-NEZ-RA-50</b>	NosepieceD(4.8)	1
1.3	<b>E-NEZ-RA-RV-40</b>	NosepieceC(4.0)	1
1.4	<b>E-NEZ-RA-32</b>	NosepieceB(3.2)	1
2	<b>AAL00015-03</b>	Clamping sleeve	1
3	<b>E-MORS-RV</b>	Set of 3-jaws	1
4	<b>AAL60609-01</b>	Pusher	1
5	<b>AAL60611-02</b>	Spring 39x9.4x1	1
6	<b>AAL00008-02</b>	Spring 52x20.3x2	1
7	<b>AAL21221-00</b>	Lever plate	4
8	<b>AAL21208-00</b>	Lever	2
9	<b>AAL21212-00</b>	Grip	2
10	<b>AAL21202-00</b>	Mandrel collector	1
11	<b>AAZ20191-00</b>	Rear body	1
12	<b>AAL00006-02</b>	Bolt	4
13	<b>AAL21205-00</b>	Lever bolt	2
14	<b>AAL21207-00</b>	Body	1
15	<b>AAL00002-03</b>	Adjust nut	1
16	<b>AAZ20192-00</b>	Front sleeve assembly	1
17	<b>AAL21213-00</b>	Logo plate	2