

PR500 PNEUMATIC RIVET SETTING TOOL

■ **Description**

Pneumatic Setting tool.

■ **Technical details**

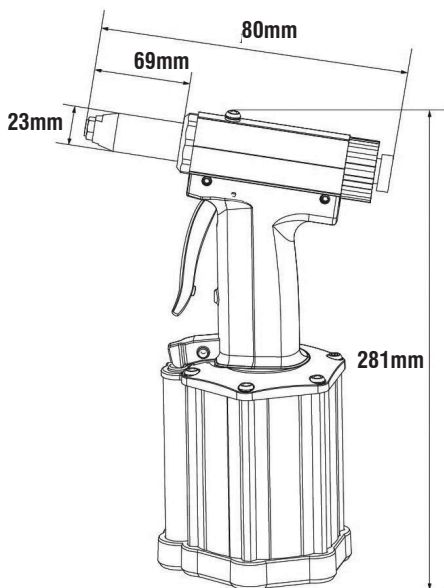
- Weight: 1.30 kg
- Working pressure: 5 - 7 bars
- Tractive force: 7.4 kN
- Stroke: 18 mm
- 3 noses supplied: 3.2 / 4.0 / 4.8

■ **Kit contents**


- Setting Tool
- Spanner
- 3 x Nosepieces
- Spare jaws
- Oil Syringe



■ **Dimensions**



■ **Rivet Range**

	ø3.0/3.2 1/8"	ø4.0 5/32"	ø4.8/5.0 3/16"
Aluminium	✓	✓	✓
Steel	✓	✓	✓
Stainless steel	✓	✓	✓

■ **Guarantee - 1 year.**

PR500 PNEUMATIC RIVET SETTING TOOL

USER INSTRUCTIONS

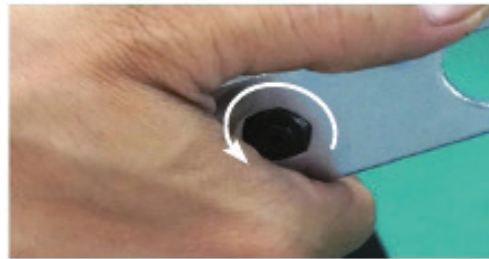
1

Choose the right nosepiece to suit the rivets to be set.

RIVETS	MARKING ON NOSE
3.0 / 3.2 mm	3.2 & 2.2 / B
4.0 mm	4.0 & 2.7 / C
4.8 / 5.0 mm	4.8 / 5.0 & 3.2 / E

2

Use the key provided to change the nosepiece.



3

Make sure that the collecting bottle is correctly attached to the machine.



4

Check that the air supply is within the pressure range 5 - 7 bars and connect the air supply to the air line.

5

Insert the mandrel of the rivet into the nosepiece and pull the trigger to crimp the rivet.

NB: this machine does not have a mandrel suction system after crimping.