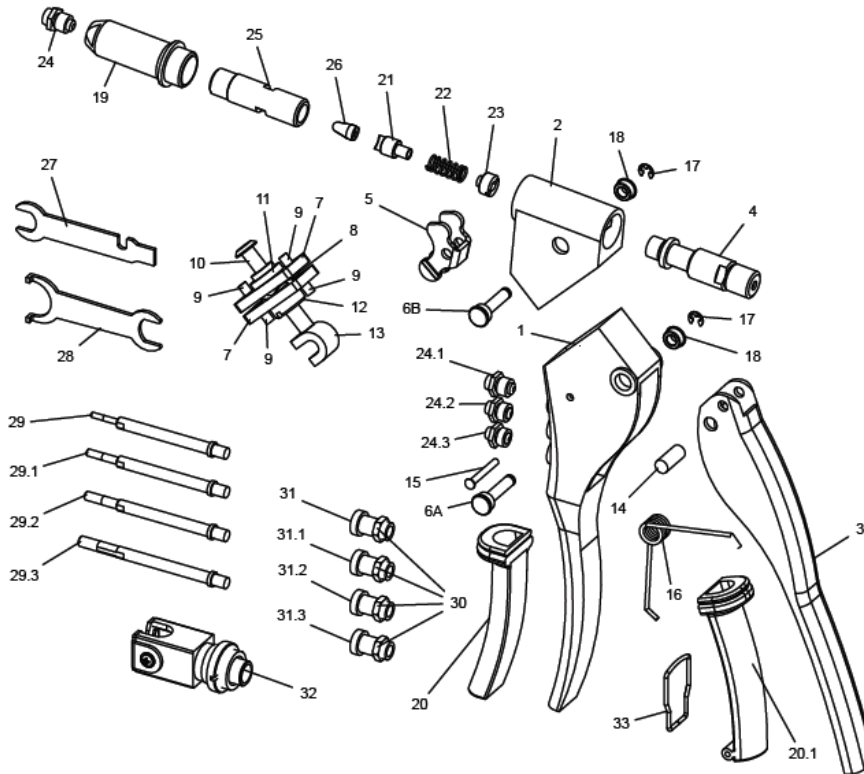


## R100P – Pince manuelle à tête pivotante pour rivets



ID	DESCRIPTION
1	BODY FRAME
2	HEAD FRAME
3	HANDLE
4	DRAWBAR LEAD
5	LEVER
6A	PIN
6B	PIN
7	SLIDING PLATE
8	WAVE RING
9	SCREW
10	CONNECTING ROD
11	BOLT
12	LOCK NUT
13	DRAW CONNECTOR
14	STRAIGHT PIN

15	HOLLOW PIN
16	TORQUE SPRING
17	E4 RING
18	COLLAR
19	SLEEVE SEAT (FOR BLIND RIVET)
20	GRIP (FRONT)
20.1	GRIP (BACK)
21	JAW PUSHER
22	JAWCASE SPRING
23	JAWCASE SCREW
24	NOSEPIECE (4.8MM)
24.1	NOSEPIECE (4.0MM)
24.2	NOSEPIECE (3.2MM)
24.3	NOSEPIECE (2.4MM)
25	JAWCASE
26	JAW
27	SPANNER
28	SPANNER
31	NOSEPIECE
31.1	NOSEPIECE
31.2	NOSEPIECE
31.3	NOSEPIECE
32	RETAINING RING
33	RETAINING RING