

MD

Setting tool for Hollow Wall Anchors M4 to M6

■ Description

The leader of the range :
efficient and convenient !

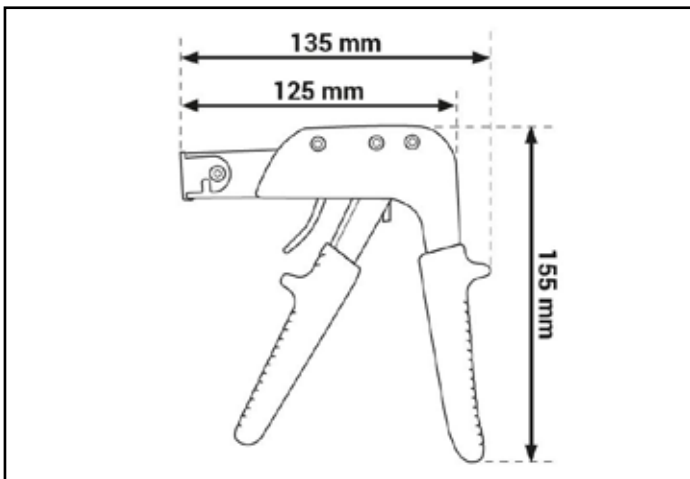
Fitted with a reset trigger. - the MD setting tool
offers easy and flawless installation.

■ Features

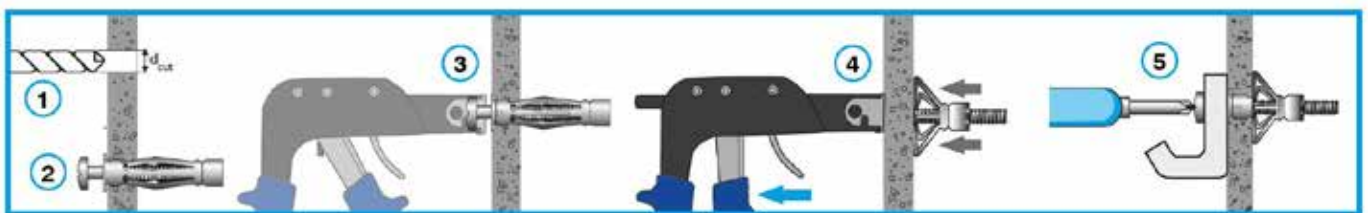
- Suitable for hollow wall anchors
M4 to M6.

■ Technical details

Material body and mobile handle: Steel
Weight: 0.36 Kg



■ Setting instructions



1. Pierce the support to the correct specified diameter.
2. Enter the anchor flush with hole. Unscrew anchor by +/- 4 mm.
3. Position the nose of the expansion clamp between the collar of the anchor and the screw head.
4. Operate the pliers to expand the anchor.
5. Remove the screw to position the object to be fixed. Screw the assembly in by using a screwdriver.