

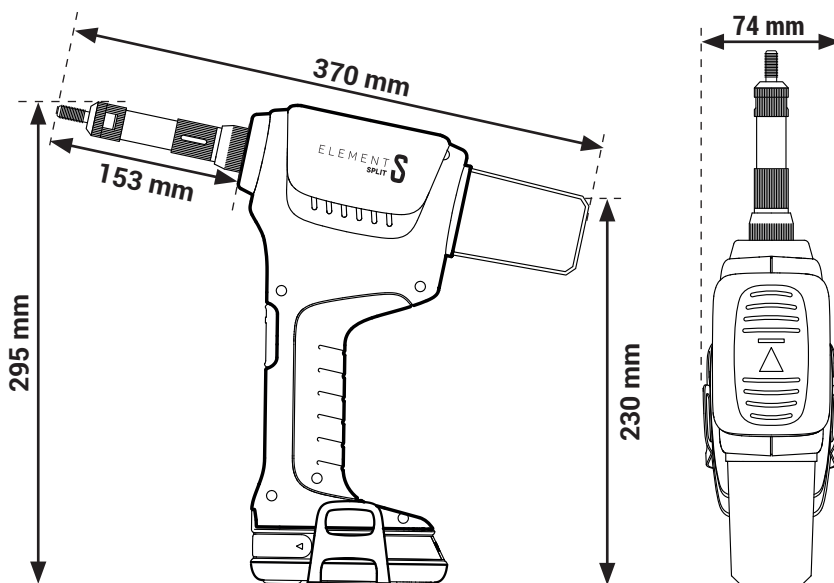
CORDLESS RIVET NUT TOOL

FOR SPLIT NUT M5 TO M8

ELEMENT S



ELEMENT S
SPLIT



SPECIFICATIONS

Traction power:

22 500 N

Stroke:

20 mm

Weight (incl. battery):

2.37 kg

Battery:

18 V Li-ion - 2.0 Ah with charger indicator.

Charger:

18V - battery charging time 2.0 Ah = 100 % in 30 minutes

Warranty:

1 year

CAPACITY

Split nuts M5 to M8



SPLIT NUT	M5	M6	M8
ALUMINIUM	✓	✓	✓
STEEL	✓	✓	✓
STAINLESS STEEL	✓	✓	✓

FEATURES



3 LEDS TO ILLUMINATE THE WORK ZONE



BATTERY WITH CHARGE INDICATOR



SMOOTH TRIGGER AND GRIP



UPSIDE-DOWN STAND

REFERENCES

REFERENCE	COMPOSITION			
	NUT TOOL E-SP	BATTERY 18V Li-Ion -2.0Ah	QUICK CHARGER 18V	ACCESSORIES
E-SP-2XBAT	1	2	1	1
E-BATT		1		
E-CHARG			1	

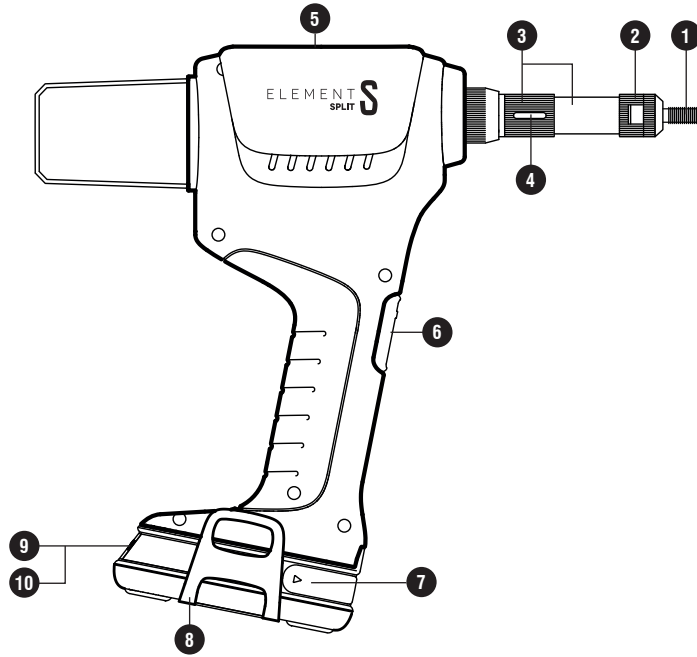
Accessoires inclus :

- 3 nosepieces and mandrels M5-M6-M8 for split nuts.
- 1 belt hook.
- 1 mounting wrench..
- 1 rigid carrying case.



rigid carrying case

OPERATING INSTRUCTIONS



- 1 Mandrel
- 2 Anvil and locknut
- 3 Stroke set with serrations
- 4 Hole to release jammed nut
- 5 Tool body
- 6 Button
- 7 Battery switch
- 8 Belt clip
- 9 Battery level check button
- 10 Battery level indication

• **ADJUSTING THE TOOL:** See user manual.

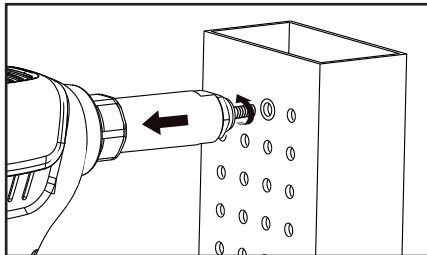
• **BLIND NUT INSTALLATION:**

Before installation first carry out the 'tool setting'.

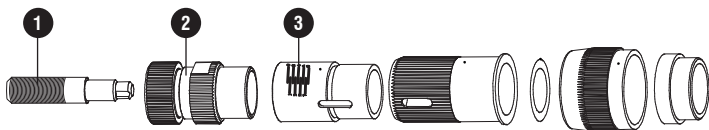
- Insert nut in to the hole and verify that hole/nut/tool are well aligned.
- Press the button during the whole installation cycle (*about 1 second*).



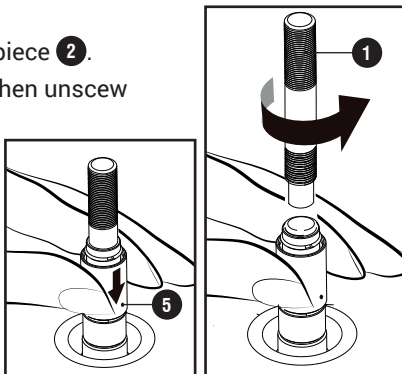
IMPORTANT :
Accompany the automatic unscrewing by pulling the tool back slightly.



• **CHANGE MANDRELS:**

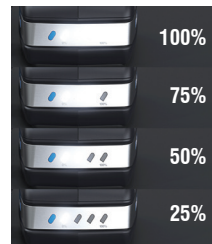


- Remove the battery.
- Unscrew and remove the piece 2.
- Roll up the stroke set 5 then unscrew the mandrel 1.
- Replace the mandrel.
- It is recommended to oil or grease the mandrel before use in order to prevent premature wear.

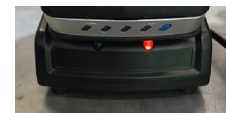


• **BATTERY LEVEL INDICATOR:**

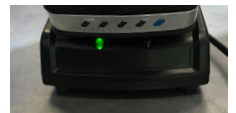
4 lights on the battery panel allows you to check the remaining power. Press and hold the blue button to check the battery level :



The information on the battery panel can vary (+/- 5%) due to environmental conditions.



Red light on the charger: the battery has to be charged



Green light on the charger: the battery is fully charged

• **REMOVE THE BATTERY:**

Battery 5 is locked to the riveting tool with a spring. To remove the battery, press the 2 unlock buttons 6 and slide the battery.

• **LED LIGHTS:**

The tool is equipped with 3 powerful LED lights to enlight the work place.



Turn on the light only

Press the trigger half way to turn on the light. The lights will shutdown after 10'.

Turn on the tool with the lights on

Press the trigger to set the rivet/blind nut. The lights turn on and remain on until 10' after the trigger is released.

MAINTENANCE / TROUBLESHOOTING / SAFETY INFORMATION

See user manual.