

# HAMMER FIXING - COUNTERSUNK HEAD

**HFC**



CONCRETE  
SOLID BRICK  
NATURAL STONE



## FEATURES

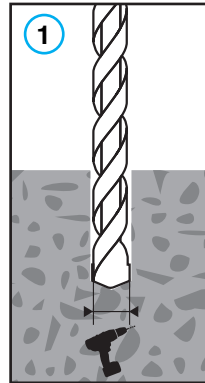
**Matière:**

- Nylon anchor
- White zinc plated nail

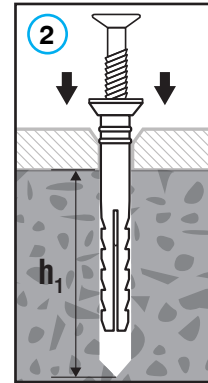
**Avantages:**

- Mounted anchor for quick installation

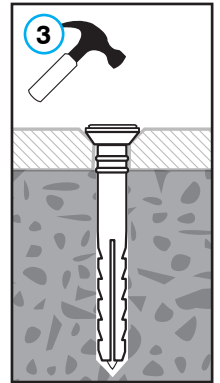
## INSTALLATION



Drill the hole at  
Ø dcut and depth  
mini h1

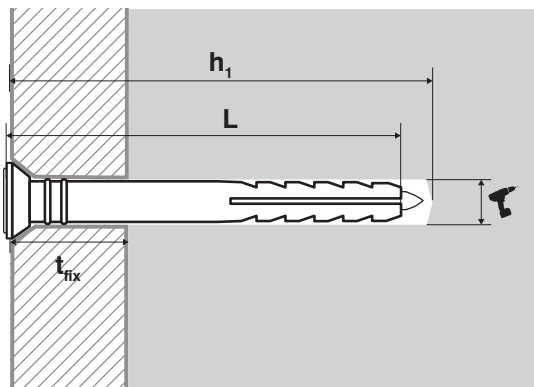


Insert the anchor  
through the piece  
to fix



Hit on the nail head  
to expand the anchor

## DIMENSIONS & APPLICATION DATAS



Diameter	Length	Hole Size	Min Hole Depth	Fastens Up to	Item code
Ø	L	⌘	h1	tfix	
mm	mm	mm	mm	mm	
<b>5</b>	30	5	40	5	<b>HFC05030</b>
	40	5	50	15	<b>HFC05040</b>
<b>6</b>	40	6	50	10	<b>HFC06040</b>
	60	6	70	30	<b>HFC06060</b>
	70	6	80	40	<b>HFC06070</b>
<b>8</b>	60	8	70	10	<b>HFC08060</b>
	80	8	90	30	<b>HFC08080</b>
	100	8	110	60	<b>HFC08100</b>
	120	8	130	80	<b>HFC08120</b>
	135	8	145	95	<b>HFC08135</b>

## RECOMMENDED LOADS

Recommended loads below are for information purposes, in concrete or solid brick.

