

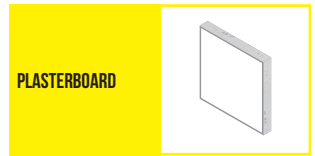
SELF DRILL PLUG WITH SCREW - NYLON

SDPN



COUNTERSUNK HEAD
SDPN-C

CYLINDRICAL HEAD
SDPN-P



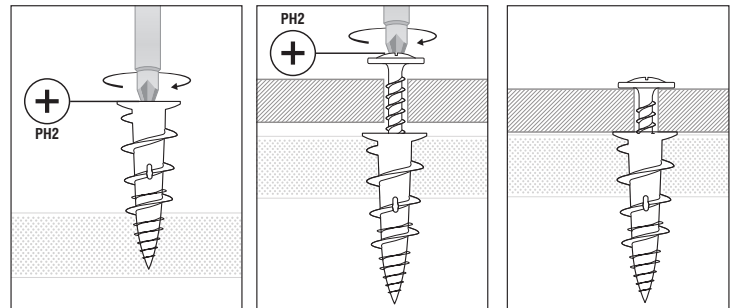
FEATURES

Material : Nylon

Advantages :

- Quick setting without drilling
- Use on plasterboard 10 to 20mm thickness

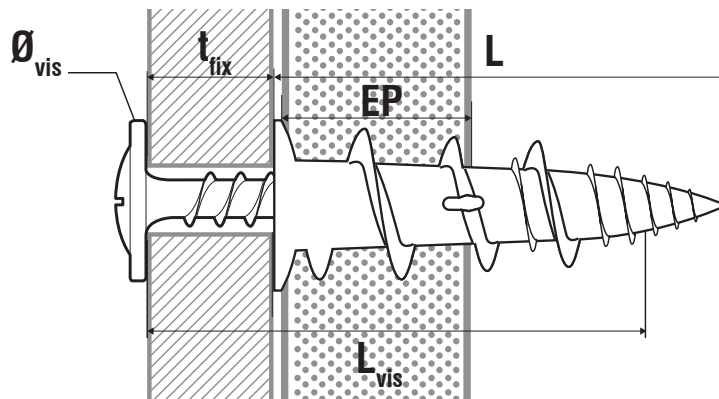
INSTALLATION



Slowly screw the Krono plug with a PH2 screwdriver

Insert the screw in the center of the plug and then, tight through the fixing piece

DIMENSIONS



Item code	Plug length	Screw length	Screw diameter	Wall thickness	Fasten Up to	Qty Per Box	Qty per outer	Weight Per 100
	L	Lvis	Øvis	EP	tfix			
	mm	mm	mm	Min-Max. mm	mm			kg
Countersunk head screw								
SDPN-C	37	35	4.5	10-20	15	100	400	0.36
Cylindrical head screw								
SDPN-P	37	35	4.5	10-20	15	200	800	0.36