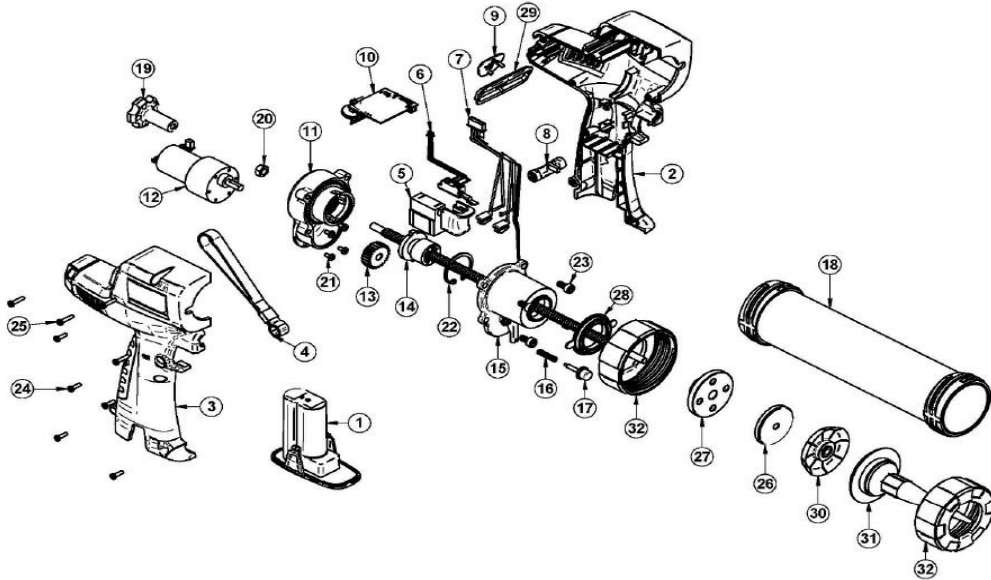


## (VI-P600B-P)



	Item No.		SCCELL-IT PART NUMBER
1	358B13	Li-ion battery pack	VI-BATT
2	C010056	358 Left main housing	SAF00002
3	C010057	358 Right main housing	
4	P4006A	Wrist strap	SAF00003
5	P4002B	Trigger	SAF00004
6	P4002B	Adjustable switch assembly	SAF00004
7	P4002B	Circuit wire assembly	SAF00004
8	P4005A	Trigger lock	SAF00005
9	P4031A	LED switch	SAF00006
10	P4028B	Control PCB	SAF00008
11	P4032A	Type1 Transmission chassis	SAF00010
12	P4014B	Type1 Motor assembly	SAF00012
13	P4010B	Type1 Motor gear	SAF00013
14	P4064A	358AXL Ball screw assembly	SAF00017
15	P4016B	Type1 Mechanism cover assembly	SAF00019
16	P4008A	Spring	SAF00021
17	P4007A	Rod release button	SAF00022
18	C170006	15" Al Barrel	SAF00025
19	C100035	Pull knob	SAF00027
20	P4103A	Nut M6	SAF00029
21	P4102A	CCMS 3-6	SAF00030
22	P4105A	C-ring	SAF00031
23	P4101A	Bolt 5-10	SAF00032
24	P4106A	Screw 3-10	SAF00033
25	P4107A	Screw 3-14	SAF00034
26	P4019A	Plunger	SAF00035
27	C140013	Mounting screw	SAF00038
28	C110022	Barrel washer	SAF00041
29	C160005	Type 1 Fixing plate	SAF00043
30	P4023B	2" Barrel plunger	SAF00045
31	250TN	Nozzle	SAF00047
32	250BC	Barrel cap	SAF00049