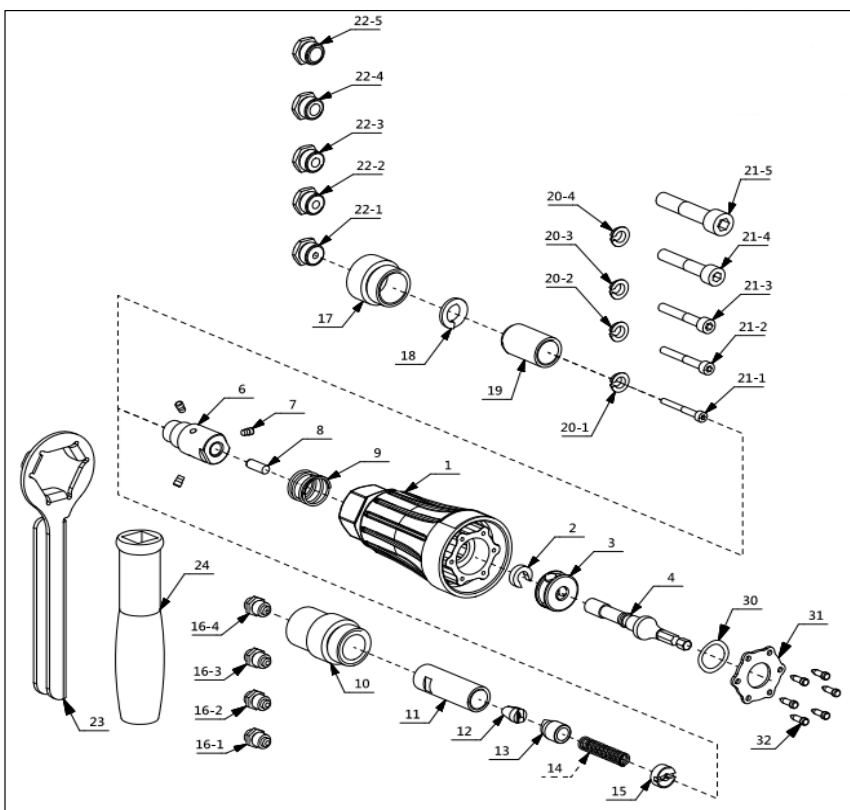


RIVENUTDRILL



N°	Référence	Désignation
1	RIVENUT-SP01	Housing
2	RIVENUT-SP02	Retaining collar
3	RIVENUT-SP03	Thrust bearing
4	RIVENUT-SP04	Screw drive
6	RIVENUT-SP0607	Adapter
7		Track pin
8	RIVENUT-SP08	Set screw
9	RIVENUT-SP09	Return spring
10	RIVENUT-SP10	Sleeve seat for blind rivets
11	RIVENUT-SP11	Jawcase
12	RIVENUT-MORS	Mors / Jaws
13	RIVENUT-SP13	Jaw pusher
14	RIVENUT-SP14	Jawcase spring
15	RIVENUT-SP15	Jawcase screw
16-1	RIVENUT-NEZ-32	Nez/Nosepiece 3.2mm
16-2	RIVENUT-NEZ-40	Nez/Nosepiece 4mm
16-3	RIVENUT-NEZ-48	Nez/Nosepiece 4.8mm
16-4	RIVENUT-NEZ-64	Nez/Nosepiece 6.4mm
17	RIVENUT-SP17	Sleeve seat for rivet nuts
18	RIVENUT-SP18	Washer M12
19	RIVENUT-SP19	Mandrel casing
20-1	RIVENUT-SP20-1	Bague de serrage/Mandrel collet M4
20-2	RIVENUT-SP20-2	Bague de serrage/Mandrel collet M5
20-3	RIVENUT-SP20-3	Bague de serrage/Mandrel collet M6
20-4	RIVENUT-SP20-4	Bague de serrage/Mandrel collet M8
21-1	RIVENUT-TIGEM4	Tirant/Cap screw M4
21-2	RIVENUT-TIGEM5	Tirant/Cap screw M5
21-3	RIVENUT-TIGEM6	Tirant/Cap screw M6
21-4	RIVENUT-TIGEM8	Tirant/Cap screw M8
21-5	RIVENUT-TIGEM10	Tirant/Cap screw M10
22-1	RIVENUT-SP22-1	Enclume/Anvil M4
22-2	RIVENUT-SP22-2	Enclume/Anvil M5
22-3	RIVENUT-SP22-3	Enclume/Anvil M6
22-4	RIVENUT-SP22-4	Enclume/Anvil M8
22-5	RIVENUT-SP22-5	Enclume/Anvil M10
23	RIVENUT-SP2324	Extension handle
24		Handle grip
30	RIVENUT-SP30	Wave spring
31	RIVENUT-SP31	Rear plate
32	RIVENUT-SP32	Screw