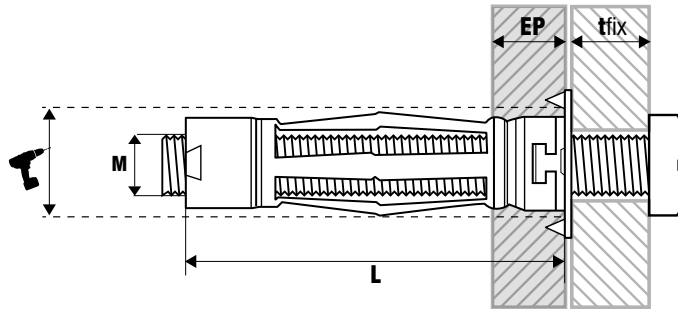


SP

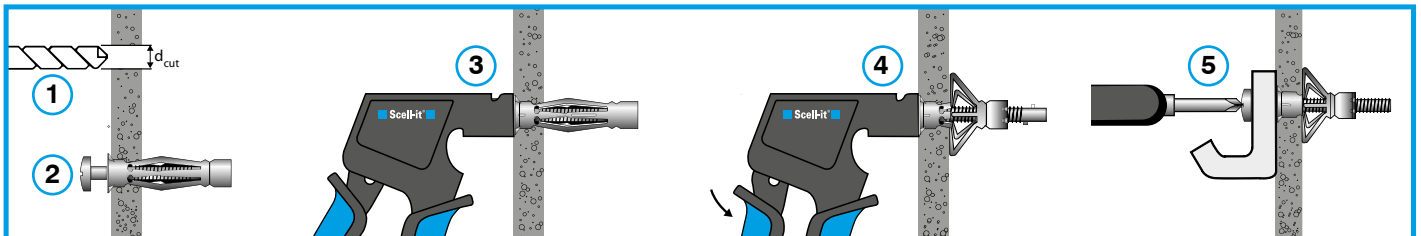
HOLLOW WALL ANCHOR WITH SCREW - ZINC PLATED



Item code	Size	Hole Size	Fasten up to	Wall thickness	Qty Per Box	Qty Per outer	Weight Per 100
	Ø x L	⌀	tfix	EP			kg
	mm	mm	mm	mm			
SP4020	M4 x 20	8	8	0-5	100	1000	0.51
SP4032	M4 x 32	8	16	3-12	100	1000	0.51
SP4038	M4 x 38	8	17	10-16	100	1000	0.85
SP4046	M4 x 46	8	30	16-24	100	1000	1.21
SP5037	M5 x 37	10	17	6-13	100	1000	1.30
SP5065	M5 x 65	10	26	14-32	100	1000	1.55
SP6052	M6 x 52	13	30	3-16	50	500	1.95
SP6065	M6 x 65	13	26	14-32	50	500	2.05

• **INSTALLATION INSTRUCTIONS:**

- **Installation :** the traction conducted by the tool provokes the expansion of the plug. the «legs» of the plug bend and press against the cavity wall, offering large surface contact and therefore high resistance to tensile loads
- **Installation steps** (with classic expansion tool 'MD' and the anchor with mounted screw):



- 1 Drill the hole
- 2 Insert the anchor to the limit of the hole, unscrew the screw (+/- 4mm)
- 3 Put the nose of the tool between the anchor collar and the screw head
- 4 Pull the trigger until you get resistance
- 5 Remove the screw to position the object to be fixed and fix with a screwdriver