

USER MANUAL

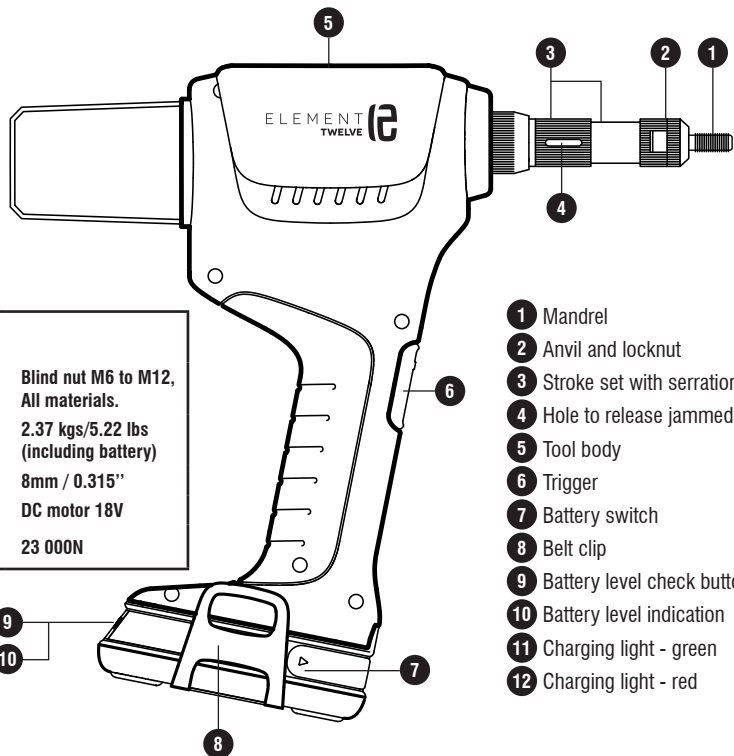


ELEMENT
TWELVE 

**BATTERY TOOL
FOR BLIND NUT
M6-M12**

EN SPECIFICATIONS

FR
PL
CZ
IT



TOOL

Capacity: **Blind nut M6 to M12,
All materials.**

Weight: **2.37 kgs/5.22 lbs
(including battery)**

Stroke: **8mm / 0.315"**

Power: **DC motor 18V**

Traction power: **23 000N**

- 1 Mandrel
- 2 Anvil and locknut
- 3 Stroke set with serrations
- 4 Hole to release jammed nut
- 5 Tool body
- 6 Trigger
- 7 Battery switch
- 8 Belt clip
- 9 Battery level check button
- 10 Battery level indication
- 11 Charging light - green
- 12 Charging light - red



BATTERY

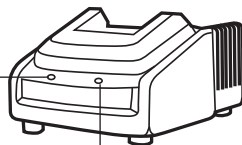
Rated Voltage: **18V**

Battery Type: **Li-ion**

Cells: **5 cells**

Capacity: **2.0 Ah**

Weight: **0.36 kgs**



CHARGER

Input Voltage: **100-240VAC/50-60Hz**

Output Voltage: **18VDC**

Output Current: **2.5A max.**

Weight: **0.37 kgs**

READ AND UNDERSTAND ALL OF THE SAFETY PRECAUTIONS, WARNINGS AND OPERATING INSTRUCTIONS IN THE INSTRUCTION MANUAL BEFORE OPERATING OR MAINTAINING THIS POWER TOOL.

IMPORTANT SAFETY INFORMATION

WARNING:

Read all safety warnings and all instructions. Failure to follow the warnings and instructions may result in an electric shock, fire and/or serious injury. Save all warnings and instructions for future reference.

Work area

1. Keep work area clean and well lit. Cluttered and dark areas invite accidents.
2. Do not operate power tools in explosive atmospheres, such as in the presence of flammable liquids, gases or dust. Power tools create sparks which may ignite the dust or fumes.
3. Keep children and bystanders away while operating a power tool. Distractions can cause you to lose control.

Electric safety

1. Do not expose power tools to rain or wet conditions. Water entering a power tool will increase the risk of electric shock.

Personal safety

1. Stay alert, watch what you are doing and use common sense when operating a power tool. Do not use a power tool while you are tired or under the influence of drugs, alcohol or medication. A moment of inattention while operating power tools may result in serious personal injury.
2. Use personal protective equipment. Always wear goggles. Protective equipment such as dust mask, non-skid safety shoes, hard hat, or hearing protection used for appropriate conditions will reduce personal injuries.
3. Prevent unintentional starting. Ensure the switch is in the off-position before connecting to power source and/or battery pack, picking up or carrying the tool. Carrying power tools with your finger on the switch or energizing power tools that have the switch on invites accidents.

4. Remove any adjusting wrench or wrench before turning the power tools on. A wrench or wrench left attached part of the power tool may result in personal injury.

5. Do not overreach. Keep proper footing and balance at all times. This enables better control of the power tool in unexpected situations.

6. Dress properly. Do not wear loose clothing. Keep your hair, clothing and gloves away from moving parts. Loose clothes or a long hair can be caught in moving parts.

Power tool use and care

1. Do not force the power tool. Use the correct power tool for your application. The correct power tool will do the job better and safer at the rate for which it was designed.
2. Do not use the power tool if the on-off switch is defective. Any power tool that cannot be controlled with the switch is dangerous and must be repaired.
3. Disconnect the battery from the power tool before making an adjustment, changing accessories, or storing power tools. Such preventive safety measures reduce the risk of starting the power tool accidentally.
4. Store the power tool out of the reach of children and do not allow persons unfamiliar with the power tool or these instructions to operate the power tool. Power tools are dangerous in the hands of untrained users.
5. Maintain your power tool. Check for misalignment of binding of moving parts, breakage of parts and any other condition that may affect the power tools operation. If damaged, have the power tool repaired before use. Many accidents are caused by poorly maintained power tools.
6. Use the power tool, accessories and tool bits etc., in accordance with these instructions and in the manner intended for the particular type of power tool, taking into account the working conditions and the work to be performed. The use of the power tool for operations different from intended could result in a hazardous situation.
7. The tool vibrations are below 2.5 m/s².

Service

1. Have your power tool serviced by a qualified repair person using only identical replacement parts. This will ensure that the safety of the power tool is maintained.

Specific warnings

1. Hold power tool by insulated gripping surfaces, when performing an operation where the fastener may contact hidden wiring.

Fasteners contacting a «live» wire may make exposed metal parts of the power tool «live» and could give the operator an electric shock.

IMPORTANT SAFETY INSTRUCTIONS FOR CHARGER & BATTERY

1. Before using the battery charger, read all instructions and cautionary markings on battery charger, battery, and product using battery.
2. Do not expose battery & battery charger to water, rain or snow.
3. Use power tool only with specifically designated battery packs. The use of any other battery packs may create a risk of injury and fire.
4. Do not charge at voltage higher than indicated as charger specification; otherwise, the charger will burn up.
5. Recharge only with the charger specified by the manufacturer. A charger that is suitable for one type of battery pack may create a risk of fire when used with another battery pack.
6. To reduce risk of damage of the charger plug and cord, pull by plug when disconnecting battery charger.
7. Make sure charger is located so that it will not be stepped on, tripped over, or otherwise subjected to damage or stress.
8. An extension cord should not be used unless absolutely necessary. The use an improper extension cord could result in a risk of fire and electric shock. If extension cord must be used make sure, it is correct and property connected.
9. Do not operate battery charger with damaged cord or plug - replace them immediately.
10. Do not operate battery charger if it has received a sharp blow, been dropped, or otherwise damaged in any way; send it back to a qualified serviceman.
11. To reduce risk of electric shock, unplug charger from receptacle before attempting any maintenance or cleaning. Removing the battery will not reduce this risk.

EN

12. Never recharge a fully charged battery. Overcharging shortens the battery service life.

FR

13. Under abusive conditions, liquid may be ejected from the battery; avoid contact. If contact accidentally occurs, flush with water. If liquid contacts eyes, additionally seek medical help. Liquid ejected from the battery may cause irritation or burns.

PL

CZ

IT

14. Suitable charging environment:

a. Charging temperature:

0°C ~40°C (32°F~104°F)

b. Discharging temperature:

0°C ~40°C (32°F~104°F)

c. Storage temperature:

-20°C ~60°C (-4°F~140°F)

Please wait one-hour first before charging, if the battery pack is stored under 0°C (32°F).

15. Storage instructions of battery:

When battery pack is not in use, keep it away from other metal objects like paper clips, coins, wrenches, nails, screws, or other small metal objects that can make a connection from one terminal to another. Shorting the battery terminals together may cause burns or a fire.

a. If battery pack is at a low temperature (under -20°C / -4°F) its chemical elements will be in solid state and resistance in charging will become too high for the battery to be charged.

b. If battery pack is at a high temperature (above 60°C / 140°F), its chemical elements will be in a vapor state that can make the battery ineffective in a short time.

16. The lithium battery safe protection function:

a. The «low-voltage protect function» will start when the lithium battery is

used for the first time. Please charge the lithium battery to prevent battery from damage.

b. After continuous use, the temperature of the lithium battery will keep rising. When the temperature of the lithium battery exceeds the max temperature, battery the "temperature protection function" will start.

The lithium battery will be locked to prevent dangerous overheating please wait till the lithium battery cools down.

c. The overload on the battery can cause a voltage peak on the tool.. The lithium battery pack will start "electric current overload protection function" to protect the lithium battery and battery PC. board. In this situation, the tool will stop for a few seconds until the protection function relieves automatically. If the tool can not be used after few minutes, the lithium battery might be in "low-voltage protecting function" or "temperature protecting function". Please follow above mentioned ways to relieve.

17. A small leakage of liquid from the battery pack may occur under extreme usage or temperature. This does not necessarily indicate a failure of the battery pack. However, if the outer seal is broken and this leakage comes into contact with your skin: Wash the affected area quickly with soap and water. Neutralize the liquid with a mild acid such as lemon juice or vinegar. If the leakage gets in your eyes. Flush your eyes with clean water for a minimum of 10 minutes and seek immediate medical attention. Inform the medical staff that the liquid is a 25-35% solution of potassium hydroxide.

18. Do not store or carry a spare battery pack in a pocket or toolbox or any other place where it may come into contact with metal objects. The battery

pack may be short circuited causing damage to the battery pack, burns or a fire. If storing or disposing the battery pack, cover the terminals with a heavy insulation tape to ensure short circuit cannot occur. Batteries, when stored for a long period of time, will discharge.

19. DANGER: If the battery pack is cracked or damaged in any other way, do not insert it in the charging base. There is a danger of electric shock or electrocution.

20. WARNING: Do not allow any liquid to come into contact with the charger. There is a danger of electric shock.

21. Do not place any object on the top of the charger as it could cause overheating. Do not place the charger near any heat source.

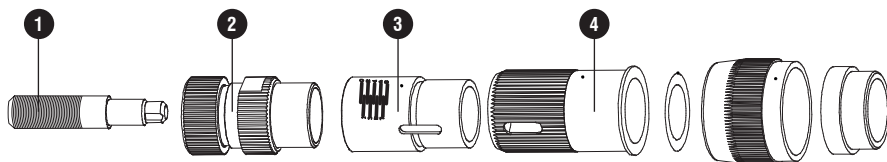
22. Do not disassemble the charger. Take it to an authorized service center when service or repair is required. Incorrect re-assembly may result in the risk of fire, electric shock or electrocution.

23. This appliance is not intended for use by persons (including children) with reduced physical, sensory or mental capabilities, or lack of experience and knowledge, unless they have been given supervision or instruction concerning use of the appliance by a person responsible for their safety.

24. If the supply cord is damaged, it must be replaced by the manufacturer, its service agent or similarly qualified persons in order to avoid a hazard.

ADJUSTING THE TOOL

1- NUT POSITIONING



- Screw the nut onto the mandrel **1** automatically by exercising light pressure on the nut.
- Set the mandrel length by adjusting the piece **2**.



The mandrel must come through the nut as indicated in the picture. Then remove the nut before adjusting the stroke.

2- ADJUSTING THE STROKE



According to the nut and the support thickness the stroke must be adjusted to provide ideal installation.

Adjusting of stroke is done by screwing/unscrewing the piece **4**. See graduations on the piece **3**:

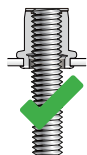
0: minimum stroke ▶ **9: maximum stroke**

It is recommended to adjust the scale set on **2** and to do installation trial.

Adjusting the stroke is necessary to obtain the desired deformation.



YES



A



NO



B



NO



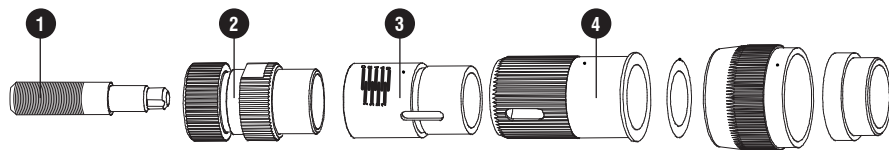
C

A Correctly set

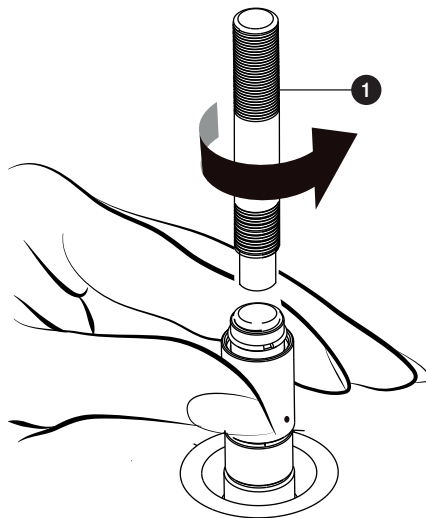
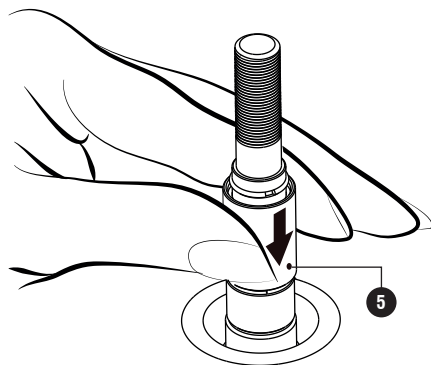
B Not fully set

C Over-set. Do not pull the nut up too tightly as you may strip the thread in the nut or damage the tool mandrel.

3- HOW TO CHANGE MANDRELS 1 ?

FR
PL
CZ
IT

- Remove the battery.
- Unscrew and remove the piece 2.
- Roll up the stroke set 5 then unsew the mandrel 1.
- Replace the mandrel.
- It is recommended to oil or grease the mandrel before use in order to prevent premature wear.



BLIND NUT INSTALLATION

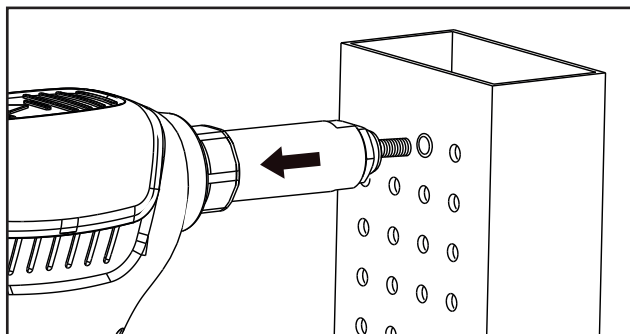
Before installation first carry out the 'tool setting'.

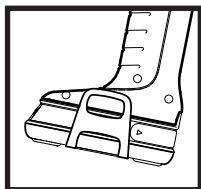
- Insert nut in to the hole and verify that hole/nut/tool are well aligned.
- Press the button during the whole installation cycle (*about 1 second*).



IMPORTANT:

Accompany the automatic unscrewing by pulling the tool back slightly.





BATTERY LEVEL INDICATOR

4 lights on the battery panel allows you to check the remaining power. Press and hold the blue button to check the battery level :

4 lights on: 100% remaining

3 lights on: 75% remaining

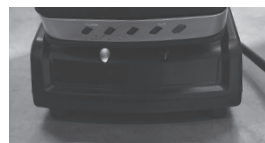
2 lights on: 50% remaining

1 light on: 25% remaining

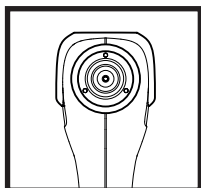
The information on the battery panel can vary (+/- 5%) due to environmental conditions.



Red light on the charger: the battery has to be charged



Green light on the charger: the battery is fully charged



LED LIGHTS



The tool is equipped with 3 powerful LED lights to enlight the work place.

Turn on the light only

Press the trigger half way to turn on the light. The lights will shutdown after 10'.

Turn on the tool with the lights on

Press the trigger to set the rivet/blind nut. The lights turn on and remain on until 10' after the trigger is released.

EN PROBLEM SOLVING

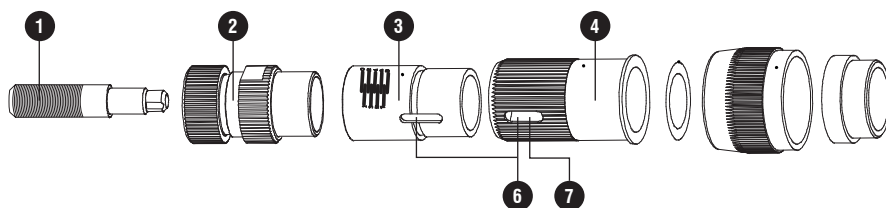
FR

PL

CZ

IT

TOOL BLOCKED IN THE END OF THE CYCLE



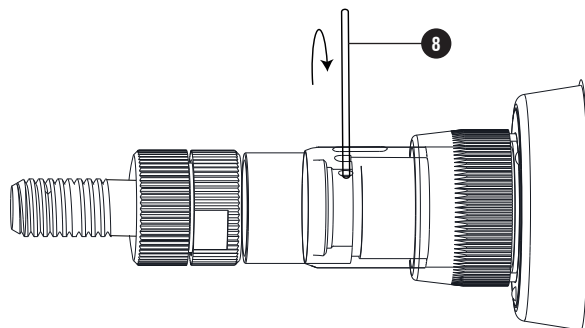
The tool was not released in the end of the installation cycle and automatic unscrewing is not possible.

In that case the tool must be released manually as follows:

1. Turn the stroke set (4) to align the slots (6) of parts (3) and (4).
2. Then turn the mandrel (1) until the hole (7) appears.



3. Insert the pin (8) into the hole (7) in order to block the mandrel rotation.
4. Then turn the tool counterclockwise in order to release it.



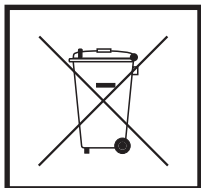
Trouble	Reason	Solution
Flashing LED	Low battery charge or damaged battery	Charge or replace the battery
	Tool capacity exceeded	
	Tool overheating	Let the tool cool down for a moment
Hard to screw the nut on the mandrel	Worn or damaged mandrel	Replace mandrel

WARRANTY CONDITIONS

During the warranty period, the customer must not perform any alterations other than those permitted by the manufacturer (maintenance). The repairs must be done by an authorized service center.

To admit warranty repair, the customer must return the defective tool to the service center of the manufacturer with the proof of purchase. Warranty is valid only if the tool is in its warranty period (12 months from the date of purchase confirmed by the proof of purchase) and if the conditions of use have been respected.

Warranty is not valid if worn spare parts have to be replaced (further to a normal use of the tool).



DISPOSAL OF OLD ELECTRICAL & ELECTRIC EQUIPMENT

This product (including battery and charger) shall not be treated as household waste. It shall be handed over the applicable collection point for the recycling of electrical and electric equipment. By ensuring this product is disposed of correctly, you will help prevent potential negative consequences for the environment and human health, which could otherwise be caused by inappropriate waste handling of this product. The recycling of materials will help to conserve natural resources. For more detailed information about recycling of this product, please contact your local city office, your household waste disposal service or the shop where you purchased the product.

DECLARATION OF CONFORMITY

FR

PL

CZ

IT

EC DECLARATION OF CONFORMITY – EC DIRECTIVE 2006/42/EC ANNEX II 1A 

The manufacturer:

SCELL-IT
28 RUE PAUL DUBRULE
59810 LESQUIN
FRANCE
+33(0) 320 329 818

declares hereby that the following product:

Product designation:

- **E-5 / E-6 / E-T / E-7 / E-8 / E-SP / E-12 / E-HC**
- **Universal quick charger 18V (E-CHARG)**

Complies with the following relevant conditions:

- **2006/42/EC Machinery Directive**
- **2014/35/EU Low Voltage Directive**
- **2014/30/EU Electromagnetic Compatibility Directive**

If the machine is modified without our knowledge and consent, this EC Declaration of Conformity will be voided.

Most important applied standards:

EN 60204-1:2006+A1:2009

EN ISO 12100:2010

EN 55014-1:2017

EN 55014-2:2015

Name of documentation officer:

Nadia FAYTRE

Address of documentation officer:

see address of manufacturer

Lesquin, 2019-01-17



Franck De Bruyne
(Managing Director)

CARACTÉRISTIQUES

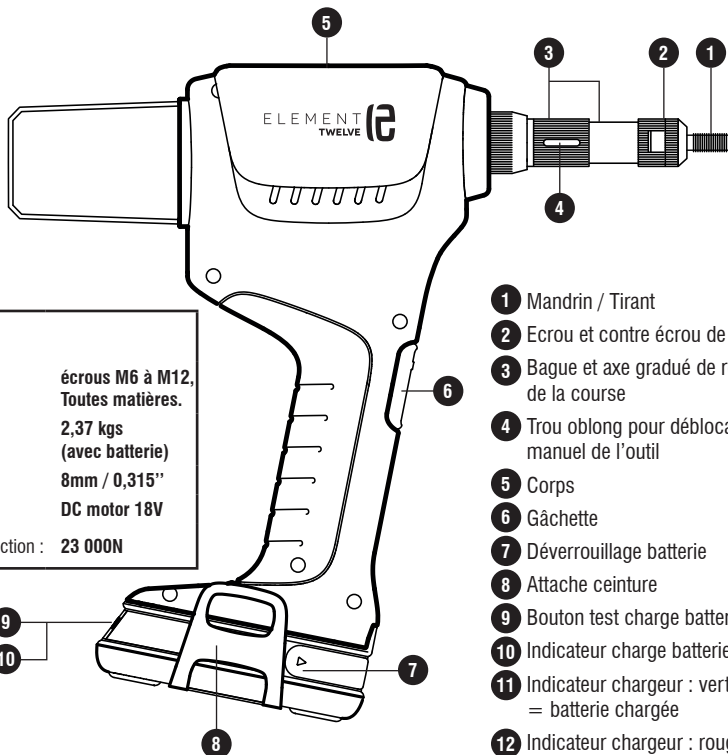
EN

FR

PL

CZ

IT



OUTIL

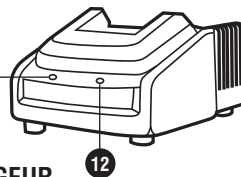
Capacité : **écrous M6 à M12, Toutes matières.**
 Poids : **2,37 kgs (avec batterie)**
 Course : **8mm / 0,315"**
 Moteur : **DC motor 18V**
 Force de traction : **23 000N**

- 1 Mandrin / Tirant
- 2 Ecrou et contre écrou de blocage
- 3 Bague et axe gradué de réglage de la course
- 4 Trou oblong pour déblocage manuel de l'outil
- 5 Corps
- 6 Gâchette
- 7 Déverrouillage batterie
- 8 Attache ceinture
- 9 Bouton test charge batterie
- 10 Indicateur charge batterie
- 11 Indicateur chargeur : vert = batterie chargée
- 12 Indicateur chargeur : rouge = batterie en charge



BATTERIE

Voltage : **18V**
 Type de batterie : **Li-ion**
 Nombre de cellule : **5 cells**
 Capacité : **2,0 Ah**
 Poids : **0,36 kgs**



CHARGEUR

Tension en entrée : **100-240VAC/50-60Hz**
 Tension en sortie : **18VDC**
 Impédance : **2,5A max.**
 Poids : **0,37 kgs**

LIRE TOUTES LES MISES EN GARDE ET TOUTES LES INSTRUCTIONS DE FONCTIONNEMENT AVANT L'UTILISATION OU LA MAINTENANCE DE LA MACHINE.

INSTRUCTIONS DE SÉCURITÉ

AVERTISSEMENT :

Lire toutes les mises en garde et toutes les instructions.

Le non-respect des mises en garde et des instructions peut être à l'origine de décharges électriques, feu et blessures graves.

Zone de travail

1. Maintenir la zone de travail propre et correctement éclairée. Une zone de travail encombrée et mal éclairée est propice aux accidents.
2. Ne pas utiliser la machine dans une atmosphère explosive avec par exemple la présence de liquides inflammables, de gaz ou de poussières. La machine engendre des étincelles qui peuvent enflammer des nuages de poussières.
3. Maintenir les personnes présentes à distance pendant l'utilisation de la machine. Toute distraction peut entraîner une perte de contrôle.

Sécurité électrique

1. Ne pas exposer la machine à la pluie et à l'humidité. La présence d'humidité à l'intérieur de la machine augmente le risque de décharges électriques.

Sécurité individuelle

1. Rester vigilant, être attentif et utiliser la machine avec bon sens. Ne pas utiliser la machine en cas de fatigue, en état d'ivresse ou sous l'emprise de drogues ou de médicaments. Un moment d'inattention en cours d'utilisation de la machine peut avoir de graves conséquences.
2. Utiliser des protections individuelles. Toujours porter des lunettes de protection. L'utilisation d'équipements de protections comme des protections auditives, un masque, des chaussures de sécurité antidérapantes, un casque, une tenue qui protège de la chaleur dans des conditions appropriées peut réduire les risques individuels.
3. Éviter tout démarrage non intentionnel. Assurez-vous que la machine est en mode arrêt avant toute connexion à la batterie et avant de transporter la machine. Transporter la machine en appuyant sur la gâchette

ou mettre sous tension la machine si la gâchette est actionnée peut entraîner des accidents.

4. Retirer toute clé de réglage avant mise sous tension de la machine. Elle pourrait être éjectée et provoquer un accident.
5. Être en position stable lors de l'utilisation de la machine pour un meilleur contrôle si une anomalie se produit.
6. Attention aux vêtements amples ou cheveux longs qui peuvent se coincer dans les parties mobiles de la machine.

Précautions d'utilisation de la machine.

1. Ne pas utiliser la machine au-delà de ses capacités. Utiliser une machine avec une puissance adaptée à l'application. Une machine sera plus efficace et non dangereuse si elle est utilisée dans les conditions pour lesquelles elle a été conçue.
2. Ne pas utiliser la machine si le contrôle marche-arrêt par la gâchette est défectueux, il est dangereux d'utiliser la machine qui doit être réparée.
3. Retirer la batterie avant toute intervention sur la machine, changement d'accessoires ou rangement de la machine. Cette mesure de sécurité évite tout démarrage accidentel de la machine.
4. Cette machine ne doit pas être laissée à portée des enfants ou de toute personne non habituée à son utilisation. Toute utilisation par une personne non habituée peut présenter un risque.
5. Assurer l'entretien de la machine. Vérifier l'état général de la machine, le bon positionnement des différentes parties de la machine, l'absence de pièces cassées qui pourraient empêcher son bon fonctionnement. Si la machine est endommagée, elle doit être réparée avant toute nouvelle utilisation. Des accidents peuvent être causés par une machine non entretenue.
6. Utiliser la machine et ses accessoires en prenant en compte ces instructions, les conditions d'utilisation et l'application prévue. L'utilisation de la machine pour une application non adaptée peut conduire à une situation dangereuse.
7. Il est précisé que les vibrations transmises par la machine vers l'opérateur n'exèdent pas 2,5 m/s².

Entretien

1. L'entretien de la machine doit être réalisé par une personne habilitée en utilisant les pièces détachées d'origines. Cela permet de garantir une utilisation après intervention en toute sécurité.

Avertissements

1. Tenir la machine avec un matériau isolant si lors de l'utilisation il y a un risque de contact entre la fixation et un fil électrique. Si la fixation entre en contact avec un fil sous tension, les pièces métalliques de la machine, conductrices, peuvent alors entraîner une décharge électrique sur l'utilisateur.

INSTRUCTIONS DE SÉCURITÉ POUR LA BATTERIE ET LE CHARGEUR

1. Avant d'utiliser le chargeur de batterie, lire les instructions et les mises en garde relatives au chargeur de batterie, à la batterie et à la machine sur batterie.
2. Ne pas exposer la batterie ou le chargeur à l'eau, la pluie ou la neige.
3. N'utiliser la machine qu'avec les batteries d'origine. L'utilisation d'autres batteries peut entraîner des risques de blessures et d'incendie.
4. Ne pas charger la batterie à un voltage supérieur à celui indiqué, sinon le chargeur peut surchauffer.
5. La batterie ne doit être chargée qu'avec le chargeur d'origine fourni par le fabricant. L'utilisation d'un autre chargeur peut entraîner des risques d'incendie.
6. Pour éviter d'endommager la fiche ou le câble du chargeur, débrancher le chargeur par la fiche, ne pas tirer sur le câble.
7. Positionner le chargeur de telle sorte qu'on ne marche pas sur le câble, qu'on ne trébuche pas ou qu'il n'y ait pas de risque d'endommager le câble.
8. N'utiliser une rallonge qu'en cas d'extrême nécessité. L'utilisation d'une rallonge peut exposer à un risque d'incendie ou de décharge électrique. Si une rallonge doit être impérativement utilisée, vérifier son état et la conformité du branchement.
9. Ne pas utiliser de chargeur de batterie avec un câble ou une fiche endommagés. Les remplacer immédiatement.
10. Ne pas utiliser un chargeur de

batterie qui est tombé ou qui a été endommagé. Le retourner en SAV.

11. Pour éviter tout risque de décharge électrique, débrancher le chargeur avant toute opération de maintenance ou de nettoyage. Le seul retrait de la batterie ne permet pas de réduire le risque.

12. Ne jamais remettre en charge une batterie déjà totalement chargée car cela réduit la durée de vie de la batterie.

13. Dans certaines conditions très particulières, un liquide peut s'échapper de la batterie. Éviter tout contact avec ce liquide. En cas de contact accidentel, rincer avec de l'eau. En cas de contact accidentel avec les yeux, prendre en plus contact avec un médecin. Le liquide peut entraîner des irritations ou des brûlures.

14. Conditions de charge:

a. Température de charge :

0°C à 40°C

b. Température de décharge :

0°C à 40°C

c. Température de stockage :

-20°C à 60°C

Attendre une heure avant toute mise en charge si la batterie a été stockée à une température inférieure à 0°C.

15. Conditions de stockage de la batterie :

Lorsque la batterie n'est pas utilisée, veiller à ce qu'elle ne soit pas en contact avec des objets métalliques (trombones, pièces, clés, clous, vis...) qui peuvent entraîner une connexion entre les 2 bornes de la batterie avec un risque de surchauffe ou d'incendie.

a. Si la batterie est stockée à basse température ($T^{\circ}\text{C} \leq -20^{\circ}\text{C}$) les composants chimiques à l'état solide ne permettront pas une mise en charge de la batterie.

b. Si la batterie est stockée à haute température ($T^{\circ}\text{C} \geq 60^{\circ}\text{C}$) les composants chimiques à l'état gazeux ne permettront pas une utilisation de la batterie ou de très courte durée.

16. Le mode sécurité de la batterie Li-ion :

a. Après utilisation, la température de la batterie Li-ion peut continuer d'augmenter. Lorsque la température de la batterie dépasse le seuil limite, la fonction de protection liée à la température se déclenche. La batterie se verrouille afin d'éviter toute surchauffe dangereuse. Il faut alors attendre que la batterie refroidisse.

b. Après utilisation, la température de la batterie Li-ion peut continuer d'augmenter. Lorsque la température de la batterie dépasse le seuil limite, la fonction de protection liée à la température se déclenche. La batterie se verrouille afin d'éviter toute surchauffe dangereuse. Il faut alors attendre que la batterie refroidisse.

c. Lorsque la batterie est en surcharge, la machine peut alors être soumise à un courant trop important. La batterie déclenche alors la fonction de protection contre une surcharge de courant électrique. La machine se met donc en sécurité quelques secondes jusqu'à ce que la protection soit stoppée automatiquement. Si la machine ne peut pas être utilisée après quelques minutes, la batterie a probablement activé la fonction de protection faible tension ou la fonction de protection température.

Suivre les instructions ci-dessus pour désactiver ces protections.

17. Une légère fuite de liquide de la batterie peut se produire dans des conditions extrêmes de températures. Cela ne signifie pas nécessairement que la batterie est défectueuse. Cependant, si le joint extérieur de la batterie est endommagé et que le liquide est en contact avec la peau, rincer rapidement avec de l'eau savonneuse. Neutraliser le liquide avec un acide doux tel que du jus de

citron ou du vinaigre. Si le liquide est en contact avec les yeux, rincer avec de l'eau claire pendant au moins 10 minutes et contacter immédiatement un médecin en précisant que le liquide est une solution d'hydroxyde de Potassium à 25-35%.

18. Ne pas transporter ou conserver une batterie dans une poche, boîte à outils ou tout autre endroit où elle peut être en contact avec des objets métalliques avec risque de court-circuit entraînant un endommagement de la batterie, surchauffe ou incendie. Recouvrir les bornes de la batterie avec un matériau isolant permet d'éviter un court-circuit. Une batterie stockée pendant une longue période se décharge.

19. DANGER : si la batterie est endommagée, ne pas l'insérer sur le chargeur. Il y a un risque de court-circuit ou d'électrocution.

20. Éviter tout contact d'un liquide avec le chargeur. Il y a un risque de court-circuit.

21. Ne pas couvrir le chargeur car risque de surchauffe. Ne pas placer près d'une source de chaleur.

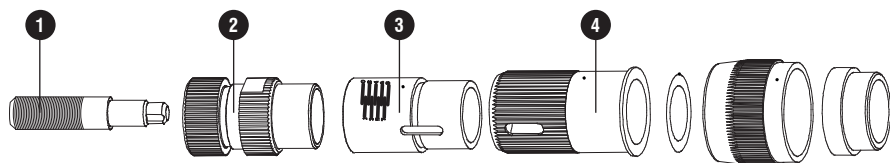
22. Ne pas démonter le chargeur. L'envoyer chez un réparateur qualifié en cas de besoin de réparation ou d'entretien. Un assemblage incorrect peut entraîner un court-circuit, un risque d'électrocution ou un incendie.

23. Le chargeur ne doit pas être utilisé par des personnes avec des déficiences physiques ou mentales ou non habilitées.

24. Si le câble du chargeur est endommagé, il doit être remplacé par le fabricant ou par une personne habilitée.

RÉGLAGE DE L'OUTIL

1- POSITIONNEMENT DE L'ÉCROU



- Visser l'écrou sur le mandrin **1** de manière automatique en exerçant une légère pression sur l'écrou.
- Régler la longueur du mandrin en jouant sur le réglage de la butée **2**.



Le mandrin doit dépasser légèrement de l'écrou comme indiqué sur la photo.

Puis retirer l'écrou avant de procéder au réglage de la course.

2- RÉGLAGE DE LA COURSE



En fonction de l'écrou et de l'épaisseur du support, le réglage de la course est nécessaire pour un sertissage optimal.

Le réglage de la course se fait par vissage/dévisseage de la bague **4**. Et repéré avec les graduations de la pièce **3** :

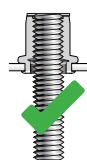
0 : course minimum ► 9 : course maximum

Au démarrage de l'opération, il est conseillé de régler la course sur la graduation **2** et d'effectuer un essai de sertissage.

Ajuster la course si nécessaire de manière à obtenir la déformation souhaitée.



OUI



A



NON



B



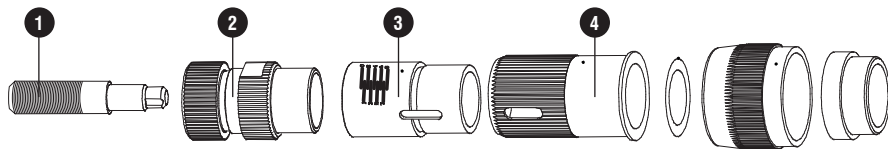
NON



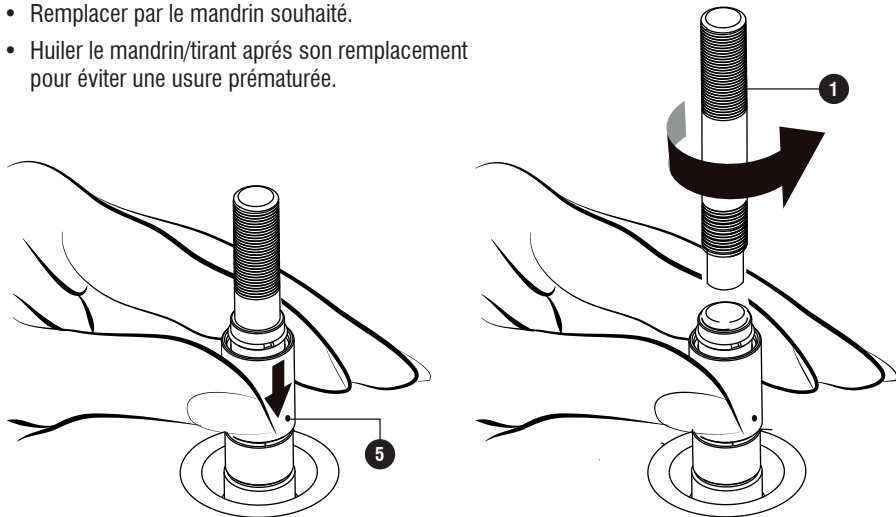
C

- A** Conforme
- B** Partiel donc non-conforme
- C** Sertissage excessif et non-conforme avec risque d'endommager le filetage intérieur de l'écrou et/ou le filetage du tirant.

3- COMMENT CHANGER LES MANDRINS ❶ ?



- Enlever la batterie.
- Dévisser et retirer la butée ❷.
- Retrousser la bague ❸ puis dévisser manuellement le mandrin ❶ (*sens antihoraire*).
- Remplacer par le mandrin souhaité.
- Huiler le mandrin/tirant après son remplacement pour éviter une usure prématurée.



POSE DE L'ÉCROU AVEUGLE

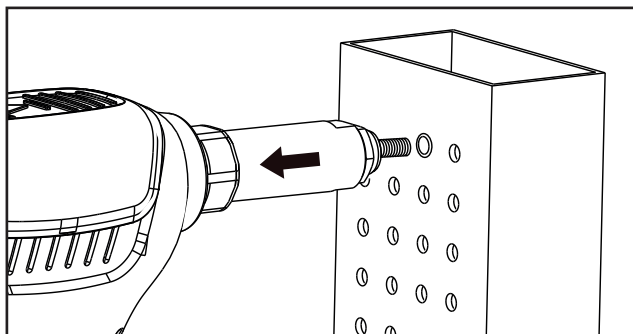
Au préalable de la pose, réaliser les étapes « réglage de l'outil ».

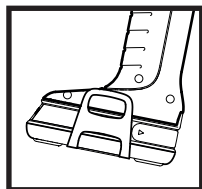
- Insérer l'écrou dans le perçage en s'assurant du bon alignement perçage-écrou-outil.
- Maintenir la gâchette enfoncée pendant toute la durée du cycle de pose (*environ 1 seconde*).



IMPORTANT :

Accompagner le dévissage automatique en effectuant un mouvement de recul avec l'outil.





VOYANT DE CHARGE BATTERIE

4 voyants lumineux indiquent le taux de charge de la batterie. Appuyer et maintenir le bouton bleu pour vérifier le taux de charge :

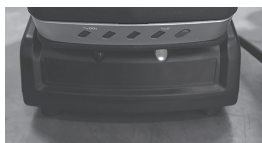
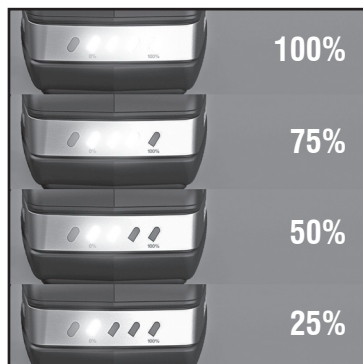
4 voyants allumés : taux de charge de 100%.

3 voyants allumés : taux de charge de 75%.

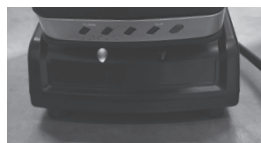
2 voyants allumés : taux de charge de 50%.

1 voyants allumés : taux de charge de 25%.

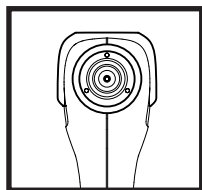
Le taux de charge peut varier de (+/- 5%) selon les conditions environnementales.



Voyant rouge sur le chargeur : la batterie doit être chargée.



Voyant vert sur le chargeur : la batterie est chargée.



ÉCLAIRAGE LED



L'outil est équipée de 3 lampes LED pour éclairer la zone de travail.

Pour allumer les éclairages LED uniquement :

Exercer une brève pression sur la gâchette.

Les lumières LED s'éteignent au bout de 10 secondes.

Rivetage/Sertissage avec les éclairages LED :

Actionner la gâchette pour sertir le rivet/l'écrou.

Les lumières LED sont automatiquement activées et resteront allumées 10 secondes après la pose.

RÉSOLUTION DES PROBLÈMES

EN

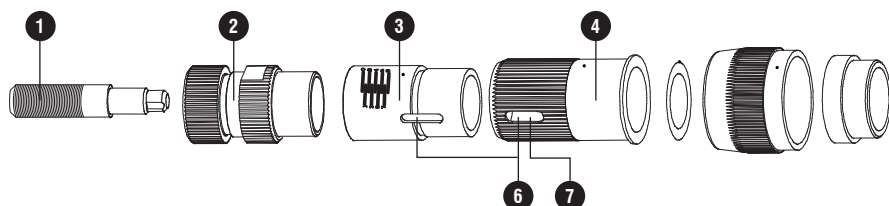
FR

PL

CZ

IT

OUTIL BLOQUÉ À LA FIN DU CYCLE



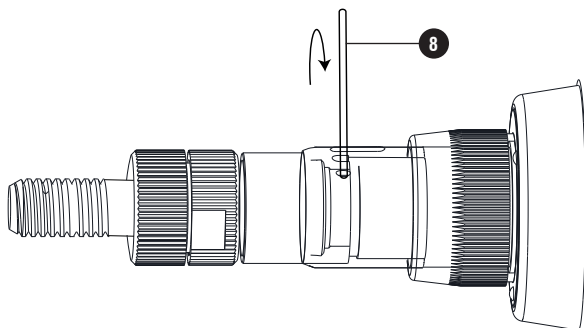
L'outil n'a pas pu être dégagé à la fin du cycle de pose et le dévissage automatique ne permet plus de dégager l'outil.

Dans ce cas il faut dégager l'outil manuellement comme suit :

1. Tourner la bague **4** afin d'aligner les fentes **6** des pièces **3** et **4**.
2. Tourner ensuite le mandrin **1** pour faire apparaître le trou **7**.



3. Insérer dans le trou **7** la goupille **8** de manière à bloquer la rotation du mandrin.
4. Tourner ensuite l'outil dans le sens antihoraire de manière à le dégager du plan de pose.



AUTRES TROUBLES MAJEURS

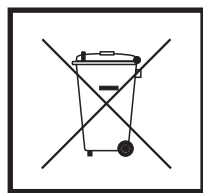
Problème	Cause	Solution
LED clignotantes	Trop faible charge de batterie ou batterie endommagée	Charger la batterie ou la remplacer
	Capacité de l'outil dépassée	
	Surchauffe de l'outil	Laisser refroidir l'outil quelques instants
Vissage difficile ou impossible de l'écrou sur le mandrin	Mandrin usagé ou endommagé	Remplacer mandrin

CONDITIONS DE GARANTIE

Pendant la période de garantie, le client ne doit intervenir sur la machine que pour réaliser les opérations de maintenance prévues. Les réparations doivent être réalisées par un centre agréé.

Pour que la garantie soit prise en compte, le client doit retourner sa machine au service SAV du fabricant avec la preuve d'achat. La garantie ne sera applicable que si la machine est dans sa période de garantie (12 mois à partir de la date d'achat qui figure sur la preuve d'achat) et si les conditions normales d'utilisation ont été respectées.

La garantie ne s'applique pas pour le remplacement des pièces d'usure (usure liée à l'utilisation normale de la machine).



TRAITEMENT DES APPAREILS ÉLECTRIQUES & ÉLECTRONIQUES EN FIN DE VIE

Ce produit (avec batterie et chargeur) ne doit pas être traité avec les déchets ménagers. Il doit être remis à un point de collecte approprié pour le recyclage des équipements électriques et électroniques (en déchetterie par exemple). En vous assurant que le produit est bien mis au rebut de manière appropriée, vous contribuez à éviter les conséquences négatives potentielles pour l'environnement et la santé humaine. Le recyclage des matériaux aide à préserver les ressources naturelles. Pour toute information supplémentaire concernant le recyclage de ce produit, veuillez-vous adresser à votre municipalité, votre déchetterie ou à votre distributeur.

DÉCLARATION DE CONFORMITÉ

EN

FR

PL

CZ

IT

CERTIFICAT DE CONFORMITÉ CE – DIRECTIVE CE 2006/42/CE ANNEXE II 1A 

Le fabricant :

SCELL-IT

28 RUE PAUL DUBRULE

59810 LESQUIN

FRANCE

+33(0) 320 329 818

déclare, par la présente, que le produit suivant :

Désignation du produit :

- **E-5 / E-6 / E-T / E-7 / E-8 / E-SP / E-12 / E-HC**
- **CHARGEUR UNIVERSEL RAPIDE 18V (E-CHARG)**

Conformité aux directives suivantes :

- **2006/42/EC Directive machine (Machinery Directive)**
- **2014/35/EU Directive basse tension (Low Voltage Directive)**
- **2014/30/EU Directive compatibilité électromagnétique (Electromagnetic Compatibility Directive)**

Cette déclaration de conformité CE devient caduque si la machine est modifiée à notre insu et sans notre consentement.

Principales Normes appliquées :

EN 60204-1:2006+A1:2009

EN ISO 12100:2010

EN 55014-1:2017

EN 55014-2:2015

Nom de la personne responsable du dossier :

Nadia FAYTRE

Adresse du responsable du dossier :

voir l'adresse du fabricant

Lesquin, 2019-01-17

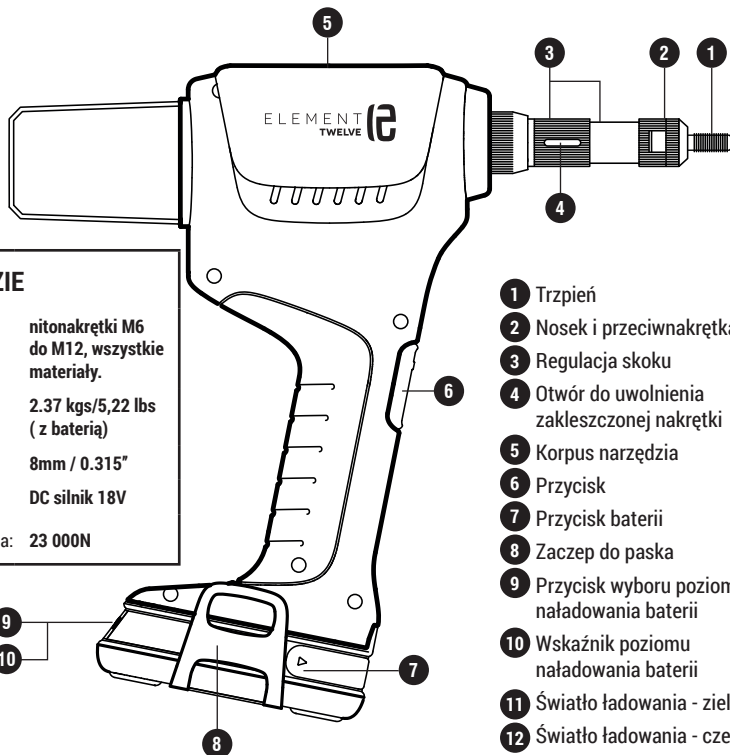


Franck De Bruyne

(Managing Director)

EN
FR
PL
CZ
IT

SPECYFIKACJA



NARZĘDZIE

Zakres stosowania: **nitonakrętki M6 do M12, wszystkie materiały.**

Waga: **2.37 kgs/5,22 lbs (z baterią)**

Skok: **8mm / 0.315"**

Moc: **DC silnik 18V**

Siła osadzania: **23 000N**

- 1 Trzpień
- 2 Nosek i przeciwnakrętka
- 3 Regulacja skoku
- 4 Otwór do uwolnienia zakleszczonej nakrętki
- 5 Korpus narzędzia
- 6 Przycisk
- 7 Przycisk baterii
- 8 Zaczep do paska
- 9 Przycisk wyboru poziomu naładowania baterii
- 10 Wskaźnik poziomu naładowania baterii
- 11 Światło ładowania - zielone
- 12 Światło ładowania - czerwone



BATERIA

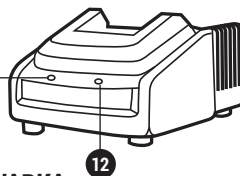
Napięcie znamionowe: **18V**

Typ akumulatora: **litowo-jonowy**

Ogniwo: **5 ogniw**

Pojemność: **2.0 Ah**

Waga: **0.36 kgs**



ŁADOWARKA

Napięcie na wejściu: **100-240VAC/50-60Hz**

Napięcie wyjściowe: **18VDC**

Natężenie na wyjściu: **2.5A max.**

Waga: **0.37 kgs**

PRZECZYTAJ I ZAPOZNAJ SIĘ WSZYSTKIMI ZASADAMI BEZPIECZEŃSTWA, OSTRZEŻENIAMI I INSTRUKCJAMI OPERACYJNYMI W INSTRUKCJI OBSŁUGI PRZED UŻYCIEM LUB KONSERWACJĄ TEGO NARZĘDZIA AKUMULATOROWEGO

ZASADY BEZPIECZEŃSTWA

OSTRZEŻENIE

Proszę zapoznać się ze wszystkimi zaleceniami i instrukcjami.

Nieprzestrzeganie zaleceń i instrukcji może doprowadzić do porażania prądem, pożaru lub/i poważnych obrażeń. Zachowaj wszystkie zalecenia i instrukcje do przysłego wykorzystania.

Miejsce pracy

1. Utrzymuj swoje miejsce pracy w czystości i zapewnij odpowiednie oświetlenie. Nieuporządkowane lub źle oświetlone miejsce pracy może doprowadzić do wypadku.

2. Nie używaj elektrycznego urządzenia nitującego w otoczeniu, w którym istnieje ryzyko wybuchu, w którym znajdują się płyny łatwopalne, gazy lub pył. Elektryczne urządzenia nitujące wytwarzają iskry, które mogą doprowadzić do zapalenia się pyłu lub oparów.

3. Nie pozwalaj zbliżyć się dzieciom oraz innym osobom w czasie używania elektrycznego urządzenia nitującego. W przypadku rozproszenia uwagi może dojść do utraty kontroli nad urządzeniem.

Bezpieczeństwo elektryczne

1. Zabrania się ekspozycji elektrycznego narzędzia nitującego na deszcz i wilgoć. Woda wdzierająca się do elektrycznego urządzenia nitującego podnosi ryzyko porażania prądem.

Bezpieczeństwo osobiste

1. Bądź ostrożny i czujny podczas użytkowania urządzenia i używaj go odpowiedzialnie. Nie używaj elektrycznego narzędzia nitującego przy silnym zmęczeniu, pod wpływem alkoholu, narkotyków lub leków. Chwilowa nieuwaga podczas użytkowania elektrycznego urządzenia nitującego może doprowadzić do poważnych obrażeń.

2. Noś odzież ochronną oraz zawsze noś okulary ochronne. Noszenie odzieży ochronnej, jak maska, buty antypoślizgowe, kask ochronny oraz stopy do uszu (zależnie od warunków i celów, dla których ma być użyte elektryczne urządzenie nitujące) obniża ryzyko doznania obrażeń ciała.

3. Unikaj przypadkowych uruchomień

urządzenia. Upewnij się, że elektryczne urządzenie nitujące jest wyłączone podczas przenoszenia i podnoszenia, zanim zostanie podłączone do sieci zasilającej i/lub baterii. Trzymanie palców blisko przełącznika podczas przenoszenia elektrycznego urządzenia lub podłączanie go do prądu, gdy przełącznik jest wyłączony może doprowadzić do wypadku.

4. Usuń wszystkie urządzenia dostosowujące oraz śrubokręty przed uruchomieniem elektrycznego urządzenia nitującego. Narzędzie lub śrubokręt przymocowany do ruchomych części urządzenia może doprowadzić do wypadku.

5. Unikaj niewygodnych ułożeń ciała podczas użytkowania urządzenia. Upewnij się, że pozycja, w której użytkujesz urządzenie jest odpowiednia, chroni przed upadkiem lub potknięciem. Tym sposobem jesteś w stanie lepiej kontrolować elektryczne urządzenie nitujące i jesteś w stanie uniknąć nieoczekiwanych sytuacji.

6. Noś odpowiednią odzież. Nie noś luźnej odzieży oraz biżuterii. Nie zbliżaj włosów, części ubrań i rękawic w pobliżu ruchomych części urządzenia. Szerokie ubrania, długie włosy mogą zostać złapane i zaplątane przez ruchome części urządzenia.

Użytkowanie i konserwacja narzędzia.

1. Nie przeciążaj urządzenia. Używaj elektrycznego urządzenia nitującego, które odpowiada Twoim potrzebom. Odpowiednio dostosowane do potrzeb urządzenie nitujące pozwala na osiągnięcie lepszych wyników pracy oraz podnosi poziom bezpieczeństwa użytkownika.

2. Nie używaj elektrycznych urządzeń nitujących, które mają uszkodzony przełącznik. Elektryczne urządzenie nitujące, które nie może zostać wyłączone jest niebezpieczne i musi być naprawione.

3. Odłącz urządzenie od sieci zasilającej lub wyjmij baterię przed dokonaniem regulacji urządzenia, zamiany akcesoriów lub odłożenia urządzenia po użytkowaniu. Zastosowanie się do tego zalecenia uniemożliwi przypadkowe włączenie się urządzenia.

4. Przechowuj elektryczne urządzenie nitujące z dala od dzieci i poza ich zasięgiem. Nie pozwól aby osoby, które nie wiedzą jak obsługiwać elektryczne narzędzie nitujące lub nie przeczytały instrukcji użytkowania używały urządzenia. Elektryczne urządzenia nitujące są niebezpieczne w rękach

niedoświadczonych użytkowników.

5. Zwracaj uwagę na sposób przechowywania urządzenia. Sprawdź, czy ruchome części działają bez zarzutu i nie zacinają się. Sprawdź, czy wszystkie części są całe, nie są uszkodzone, ponieważ mogą one wpływać na bezpieczeństwo użytkownika elektrycznego urządzenia nitującego. Napraw uszkodzone części przed rozpoczęciem użytkowania urządzenia. Wiele wypadków w udziałem elektrycznych urządzeń nitujących jest spowodowanych złą konserwacją urządzenia.

6. Używaj elektrycznego urządzenia nitującego, dodatkowych akcesoriów, narzędzi, itd. zgodnie z instrukcją. Weź pod uwagę warunki pracy i jej rodzaj. Używanie elektrycznych urządzeń nitujących w celach innych, niż ich przeznaczenie może spowodować wypadek.

7. Wibracje narzędzia wynoszą poniżej 2,5 m/s².

Serwis

1. Naprawy urządzenia powinien przeprowadzać tylko i wyłącznie wykwalifikowany personel przy użyciu oryginalnych części zapasowych. Zapewni to bezpieczeństwo w dalszym użytkowaniu elektrycznego urządzenia nitującego.

Dodatkowe ostrzeżenia

1. Podczas użytkowania urządzenia kiedy może dojść do kontaktu elementów złącznych z ukrytymi przewodami elektrycznymi trzymaj urządzenie za izolowane uchwyty.

Elementy złączne stykające się z przewodem elektrycznym mogą spowodować porażenie prądem elektrycznym.

ZASADY BEZPIECZEŃSTWA DLA ŁADOWARKI I AKUMULATORA

1. Przed użyciem ładowarki należy przeczytać wszystkie instrukcje i ostrzeżenia na ładowarce, akumulatorze i instrukcji akumulatora.

2. Nie wystawiaj akumulatora oraz ładowarki na działanie wody, deszczu lub śniegu.

3. Używaj urządzenia tylko z oryginalnie przeznaczonym do tego akumulatorem. Użycie innego akumulatora może spowodować ryzyko obrażeń i pożar.

4. Nie ładuj przy wyższym napięciu niż jest wskazane na specyfikacji ładowarki w przeciwnym wypadku ładowarka spłonie.

5. Ładuj akumulator tylko przy

pomocy ładowarki zatwierdzonej przez producenta. Istnieje ryzyko pożaru w przypadku używania innego urządzenia przeznaczonego do innego typu akumulatora.

6. Aby zmniejszyć ryzyko uszkodzenia wtyczki ładowarki i przewodu, ciągnij za wtyczkę podczas odłączania ładowarki.

7. Upewnij się, że ładowarka znajduje się w miejscu gdzie przewód nie zostanie uszkodzony, przerwany lub inny sposób narażony na zniszczenia.

8. Nie należy używać przedłużacza, chyba że jest to bezwzględnie konieczne. Użycie niewłaściwego przedłużacza może powodować niebezpieczeństwo pożaru i porażenia prądem elektrycznym. Jeśli konieczne jest użycie przedłużacza, upewnij się, że jest prawidłowo podłączony.

9. Nie używaj ładowarki z uszkodzonym przewodem lub wtyczką - natychmiast należy je wymienić.

10. Nie używaj ładowarki, jeśli została silnie uderzona, upuszczona lub w jakikolwiek inny sposób uszkodzona. Należy odesłać ją do wykwalifikowanego serwisanta.

11. Aby uniknąć porażenia prądem, przed przystąpieniem do konserwacji lub czyszczenia narzędzia należy odłączyć ładowarkę od gniazda. Wyjęcie akumulatora nie zmniejszy tego ryzyka.

12. Nigdy nie ładuj całkowicie naładowanego akumulatora. Przeładowanie skracia żywotność akumulatora.

13. W przypadku niewłaściwego ładowania z akumulatora może wycieknąć płyn. Unikaj kontaktu z tym płynem. W następstwie przypadkowego kontaktu płynu z ciałem, przemyj wodą tą część ciała. Jeśli płyn z akumulatora dostaje się do oczu, zadzwoń po pomoc medyczną lub udaj się niezwłocznie do lekarza. Wyciekający płyn z akumulatora może doprowadzić do podrażnień i oparzeń skóry.

14. Odpowiednie środowisko ładowania:

a. Temperatura ładowania:

0°C ~40°C (32°F~104°F)

b. Temperatura rozładowania:

0°C ~40°C (32°F~104°F)

c. Temperatura przechowywania:

-20°C ~60°C (-4°F~140°F)

Proszę poczekać godzinę przed ładowaniem, jeśli akumulator jest przechowywany w temperaturze 0 ° C (32 ° F).

15. Instrukcje dotyczące przechowywania akumulatora:

Gdy nie używasz akumulatora trzymaj go z daleka od spinaczy biurowych, monet, gwoździ, śrub i innych, małych metalowych przedmiotów, które mogą doprowadzić do połączenia styków. W przypadku takiego połączenia może dojść do zwarcia i pożaru i w ich następstwie do poparzeń.

A. Jeśli akumulator znajduje się w niskiej temperaturze (poniżej -20 ° C / -4 ° F) jego pierwiastki chemiczne są w stanie stałym a opór ładowania jest zbyt wysoki do naładowania akumulatora.

B. Jeśli akumulator znajduje się w wysokiej temperaturze (powyżej 60 ° C / 140 ° F), jego pierwiastki chemiczne są w stanie pary co może skutkować rozładowaniem się akumulatora w krótkim czasie.

16. Akumulator litowy zasady bezpieczeństwa:

a. «Ochrona niskiego napięcia» rozpocznie się, gdy akumulator litowy jest używana po raz pierwszy. Proszę naładować akumulator litowy aby zapobiec uszkodzeniu.

b. Po użyciu temperatura akumulatora litowego będzie rosnąć. Gdy temperatura akumulatora litowego przekracza maksymalną temperaturę, akumulator włączy «funkcje ochrony temperatury».

Akumulator zostanie zablokowany, aby zapobiec niebezpiecznemu przegrzaniu, proszę poczekać aż akumulator litowy schłodzi się.

c. Przeładowanie akumulatora może spowodować skok napięcia na urządzeniu. Akumulator litowy rozpocznie działanie «zabezpieczenia przed przeładowaniem prądem elektrycznym», aby chronić akumulator litowy i akumulator P.C. tablica. W tej sytuacji narzędzie zatrzyma się kilka sekund, aż funkcja zabezpieczenia uwolni się automatycznie. Jeśli narzędzia nie można użyć po kilku minutach, akumulator litowy może znajdować się w «funkcji zabezpieczenia niskiego napięcia» lub «funkcji ochrony temperatury». Postępuj zgodnie z powyższymi sposobami, aby złączyć.

17. Niewielki wyciek płynu z akumulatora może wystąpić w ekstremalnych warunkach użytkowania lub temperatury. Nie musi to oznaczać awarii akumulatora. Jeśli jednak uszczelka zewnętrzna jest uszkodzona i wyciek wszedł w kontakt ze skórą: Zanieczyszczony obszar szybko umyj wodą z mydłem. Zneutralizuj ciecz za pomocą łagodnego kwasu, takiego jak sok

z cytryny lub octet. Jeśli wyciek dostanie się do oczu. Przepłucz oczy czystą wodą przez co najmniej 10 minut i natychmiast poszukaj pomocy medycznej. Powiadom personel medyczny, że ciecz jest 25-35% roztworem wodorotlenku potasu.

18. Nie przechowuj ani nie wkładaj zapasowego akumulatora w kieszonkę lub skrzynkę na narzędzia lub w inne miejsce, w którym może stykać się z metalowymi przedmiotami.

Może to spowodować zwarcie akumulatora, a następnie jego uszkodzenie, poparzenia lub pożar. W przypadku przechowywania lub wyrzucania akumulatora należy zakleić styki za pomocą grubej taśmy izolacyjnej, aby nie nastąpiło zwarcie. Akumulatory, gdy są przechowywane przez dłuższy czas, będą rozładowywane.

19. NIEBEZPIECZEŃSTWO: Jeśli akumulator jest pęknący lub uszkodzony w inny sposób, nie wkładaj go do podstawy ładującej.

Istnieje niebezpieczeństwo wstrząsu elektrycznego lub porażenia prądem.

20. OSTRZEŻENIE: Nie pozwól, aby jakakolwiek ciecz stykała się z ładowarką. Istnieje niebezpieczeństwo porażenia prądem elektrycznym.

21. Nie umieszczaj żadnych przedmiotów na gorze ładowarki, ponieważ może się przegrzać. Nie umieszczaj ładowarki w pobliżu źródeł ciepła.

22. Nie demontuj ładowarki. Zgłoś się do autoryzowanego punktu serwisowego, gdy wymagany jest serwis lub naprawa. Niewłaściwy ponowny montaż może spowodować ryzyko pożaru, wstrząsu elektrycznego lub porażenia prądem.

23. To urządzenie nie jest przeznaczone dla osób (w tym dzieci) z ograniczonymi możliwościami fizycznymi, zmysłowymi lub umysłowymi, z brakiem doświadczenia i wiedzy, chyba że zostały poddane nadzorowi lub zostały poinstruowane jak korzystać z urządzenia przez osobę odpowiedzialną za ich bezpieczeństwo.

24. Jeśli przewód zasilający jest uszkodzony, musi on zostać wymieniony przez producenta, jego przedstawiciela serwisowego lub przez odpowiednio wykwalifikowaną osobę aby uniknąć zagrożenia.

REGULACJA NARZĘDZIA

EN

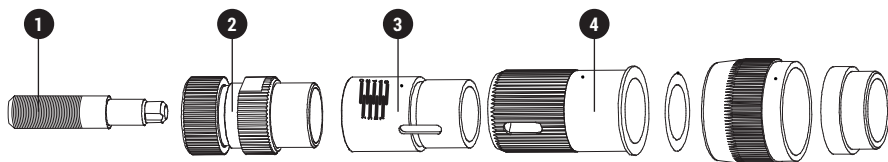
FR

PL

CZ

IT

1- POZYCJONOWANIE NAKRĘTKI



- Nakręcić nakrętkę na trzpień **1** automatycznie, wykonując lekki nacisk na nakrętkę.
- Wybierz rozmiar trzpienia dostosowując go do noska **2**.



Trzpień musi przechodzić przez nitonakrętkę, jak pokazano na rysunku.

Następnie zdejmij nitonakrętkę przed wyregulowaniem skoku.

2- REGULACJA SKOKU



W zależności od używanej nitonakrętki i grubości materiału skok należy wyregulować, aby zoptymalizować montaż nitonakrętki.

Regulacja skoku odbywa się poprzez przykręcenie / odkręcenie elementu **4**.

Zobacz podziałki na części **3**:

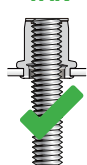
0: minimalny skok ► **9: maksymalny skok**

Zaleca się wyregulowanie skali na poziom 2 i wykonanie próby instalacji.

Dostosowanie skoku jest konieczne, aby uzyskać pożądane odkształcenie.



TAK



A



NIE



B



NIE



C

- A** Poprawnie ustawione
- B** Nie w pełni ustawione
- C** Przeciągnięte. Nie należy zaciągać nitonakrętki zbyt mocno, ponieważ może to spowodować zerwanie gwintu w nakrętce lub uszkodzenie trzpienia narzędzia.

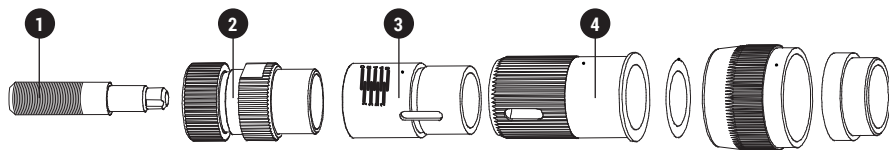
EN 3- JAK WYMIENIĆ TRZPIEŃ ❶ ?

FR

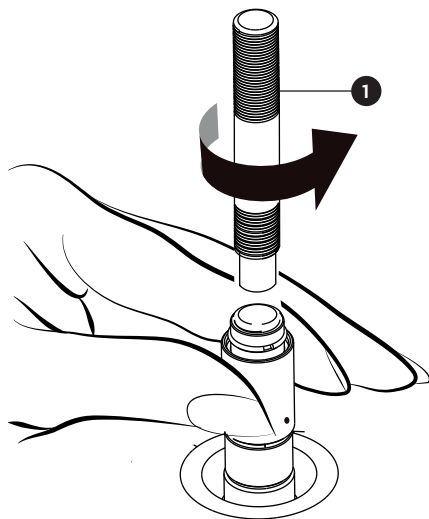
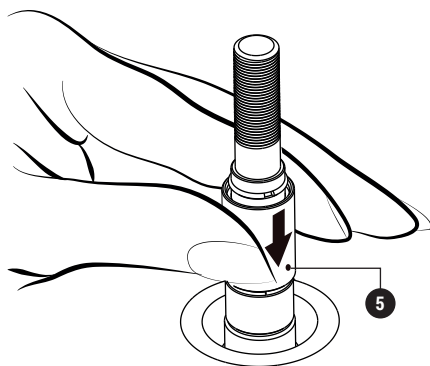
PL

CZ

IT



- Zdejmij baterię.
- Odkręć i wyjmij część ❷.
- Zwiń skok ❺ potem odkręć trząpień ❶.
- Wymień trząpień.
- Zaleca się naoliwienie lub smarowanie smarem trząpienia przed użyciem, aby zapobiec przedwczesnemu zużyciu.



INSTALACJA NITONAKRĘTKI

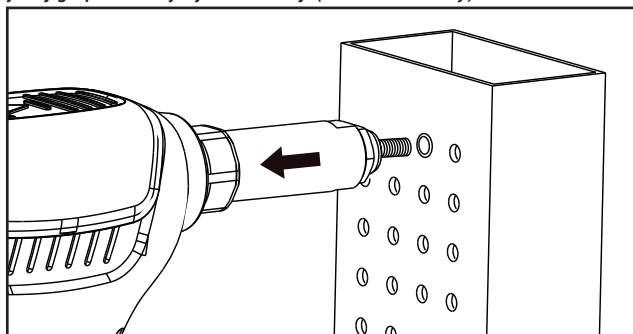
Przed instalacją najpierw «wyreguluj narzędzie».

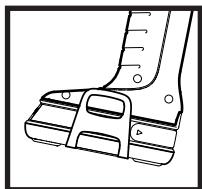
- Włóż nitonakrętkę do otworu i sprawdź, czy otwór / nitonakrętka / narzędzie są dobrze dopasowane.
- Naciśnij przycisk i przytrzymaj go przez cały cykl instalacji (około 1 sekundy).



WAŻNE:

Przeprowadź automatyczne odkręcanie, nieznacznie odsuwając narzędzie.



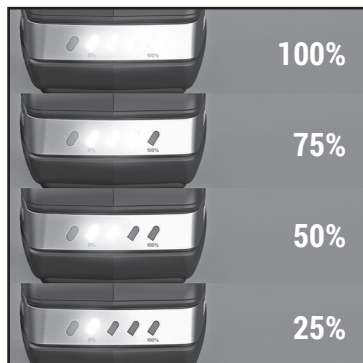


WSKAŹNIK POZIOMU BATERII

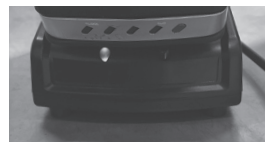
4 światła na panelu akumulatora pozwalają sprawdzić pozostałą moc. Naciśnij i przytrzymaj niebieski przycisk, aby sprawdzić poziom naładowania akumulatora:

- 4 światła włączone: 100% pozostało
- 3 światła włączone: 75% pozostało
- 2 światła włączone: 50% pozostało
- 1 światło włączone: 25% pozostało

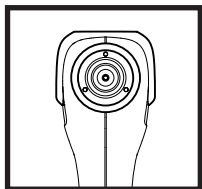
Informacje na panelu akumulatora mogą się różnić (+/- 5%) ze względu na warunki otoczenia.



Czerwone światło na ładowarce: należy naładować akumulator



Zielone światło na ładowarce: akumulator jest w pełni naładowany



DIODY LED



Narzędzie jest wyposażone w 3 mocne diody LED, które pozwalają oświetlić miejsce pracy.

Włącz tylko światło

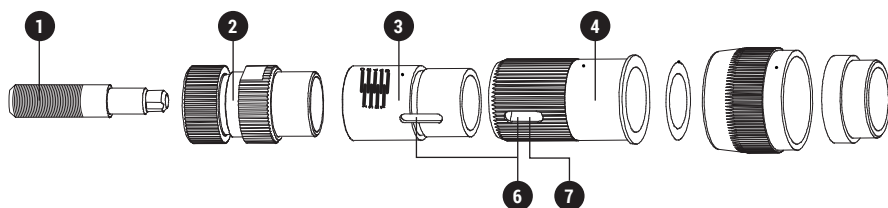
Naciśnij spust do połowy, aby włączyć światło. Światło wyłącza się na 10'.

Cykl roboczy z włączonymi światłami:

Naciśnij spust, aby założyć nitonakrętkę. Światła zapalają się i pozostają zapalone przez następne 10' po zwolnieniu spustu.

ROZWIĄZYWANIE PROBLEMÓW

NARZĘDZIE ZABLOKOWANE NA KONIEC CYKLU



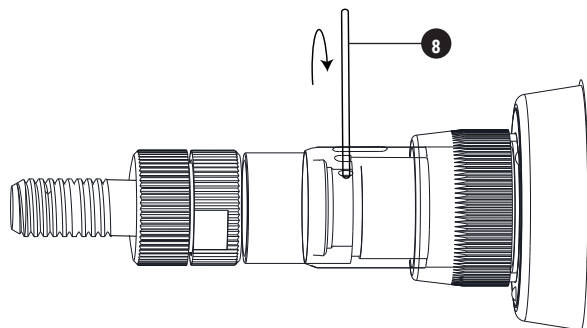
Narzędzie nie zostało zwolnione pod koniec cyklu instalacji i automatyczne wykręcanie nie jest możliwe.

W takim przypadku narzędzie należy zwolnić ręcznie w następujący sposób:

1. Obróć skok 4 aby wyrównać rowki 6 w częściach 3 i 4.
2. Następnie obróć trzpień 1 aż otwór 7 się pojawi.



3. Włóż kołek 8 w otwór 7 w celu zablokowania obrotu trzpienia.
4. Następnie obróć narzędzie przeciwnie do ruchu wskazówek zegara, aby je zwolnić.



INNE GŁÓWNE ROZWIĄZANIA

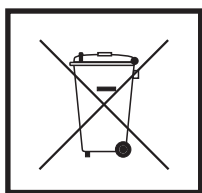
Problem	Powód	Rozwiązanie
Migająca dioda LED	Niski poziom naładowania akumulatora lub uszkodzona bateria	Naładuj lub wymień baterię
	Przekroczono pojemność narzędzia	
	Przegrzewanie narzędzia	Pozwól narzędziu ostygnąć przez chwilę
Trudno dokręcić nitonakrętkę na trzpieniu	Zużyty lub uszkodzony trzpień	Wymień trzpień

WARUNKI GWARANCJI

W okresie gwarancyjnym klient nie może dokonywać jakichkolwiek zmian innych niż te dozwolone przez producenta (konserwacja). Naprawy muszą być wykonane przez autoryzowane centrum serwisowe.

Aby zaakceptować naprawę gwarancyjną, klient musi zwrócić uszkodzone narzędzie do centrum serwisowego producenta z dowodem zakupu. Gwarancja jest ważna tylko w przypadku, gdy narzędzie jest objęte okresem gwarancyjnym (12 miesięcy od daty zakupu potwierdzone dowodem zakup) oraz jeśli warunki użytkowania były przestrzegane.

Gwarancja nie obejmuje zużytych części zamiennych, które powinny być wymienione (podczas normalnego użytkowania narzędzia)



UTYLIZACJA NARZĘDZI ELEKTRYCZNYCH I SPRZĘTU ELEKTRYCZNEGO

Ten produkt (włączając akumulator i ładowarkę) nie powinien być traktowany jako odpad komunalny. Powinno się go przekazać do odpowiedniego punktu recyklingu narzędzi i sprzętu elektrycznego. Poprzez zapewnienie prawidłowej utylizacji tego produktu pomożesz uniknąć potencjalnych negatywnych konsekwencji dla środowiska naturalnego i zdrowia ludzkiego, które mogłyby powstać przy niewłaściwym postępowaniu z odpadami tego produktu. Recykling materiałów pomoże uratować naturalne zasoby. Więcej szczegółowych informacji na temat recyklingu tego produktu można uzyskać w lokalnym biurze miasta, w serwisie zajmującym się utylizacją odpadów domowych lub sklepie, w którym zakupiono produkt.

EN
FR
PL

DEKLARACJA ZGODNOŚCI

DEKLARACJA ZGODNOŚCI WE - DYREKTYWA WE 2006/42 / WE ZAŁĄCZNIK II 1A 

CZ
IT

Producent:

SCELL-IT
28 RUE PAUL DUBRULE
59810 LESQUIN
FRANCE
+33(0) 320 329 818

Niniejszym oświadczam, że następujący produkt:

Oznaczenie produktu:

- E-5 / E-6 / E-T / E-7 / E-8 / E-SP / E-12 / E-HC
- **Uniwersalna szybka ładowarka 18 V (E-CHARG)**

Spełnia następujące odpowiednie warunki:

- **Dyrektywa maszynowa 2006/42/WE**
- **Dyrektywa niskonapięciowa 2014/35/UE**
- **2014/30/WE Dyrektywa kompatybilności elektromagnetycznej EMC**

Jeśli maszyna zostanie zmodyfikowana bez naszej wiedzy i zgody, niniejsza Deklaracja zgodności WE zostanie unieważniona.

Najważniejsze stosowane zharmonizowane:

EN 60204-1:2006 + A1:2009

EN ISO 12100:2010

EN 55014-1:2017

EN 55014-2:2015

Nazwisko urzędnika ds. dokumentacji:

Nadia FAYTRE

Adres urzędnika ds. dokumentacji:

zobacz adres producenta

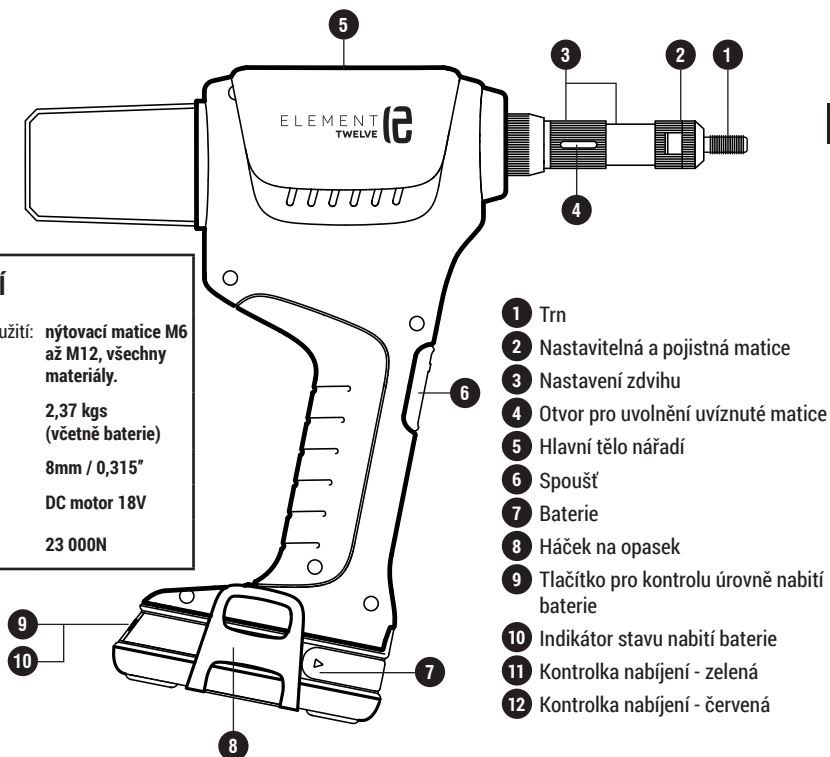
Lesquin, 2019-01-17



Franck De Bruyne
Dyrektor zarządzający

SPECIFIKACE

NÁŘADÍ	
Rozsah použití:	nýtvací matice M6 až M12, všechny materiály.
Hmotnost:	2,37 kgs (včetně baterie)
Zdvih:	8mm / 0,315"
Pohon:	DC motor 18V
Tažná síla:	23 000N



BATERIE

Napětí:	18V
Druh baterie:	Li-ion
Články:	5 článků
Kapacita:	2,0 Ah
Hmotnost:	0,36 kg

NABÍJEČKA

Vstupní napětí:	100-240VAC/50-60Hz
Výstupní napětí:	18VDC
Výstupní proud:	2,5A max.
Hmotnost:	0,37 kg

PŘEČTĚTE SI, PROSÍM, VŠECHNY BEZPEČNOSTNÍ POKYNY, VAROVÁNÍ A INSTRUKCE UVEDENÉ V TOMTO NÁVODU PŘED POUŽITÍM ČI MANIPULACÍ S NÁŘADÍM.

DŮLEŽITÉ

BEZPEČNOSTNÍ

INFORMACE

UPOZORNĚNÍ:

Přečtěte si všechny bezpečnostní pokyny a instrukce. Nedodržení bezpečnostních pokynů a instrukcí může způsobit úraz elektrickým proudem, požár a/nebo vážná zranění. Ušchovejte tento návod k použití a bezpečnostní pokyny i pro pozdější použití.

Pracoviště

1. Udržujte pracovní prostor čistý a dostatečně osvětlený. Nepořádek na pracovišti a nedostatečné osvětlení může vést k úrazu.

2. Nepoužívejte elektrické nýtovací kleště ve výbušném prostředí, které obsahuje hořlavé kapaliny, plyny nebo prach. Elektrické nýtovací kleště vytváří jiskry, které mohou zapálit prach nebo výparu.

3. Při práci s elektrickými nýtovacími kleštěmi udržujte děti a ostatní osoby v dostatečné bezpečné vzdálenosti. Budete-li rozptylováni, můžete ztratit kontrolu nad nýtovacími kleštěmi.

Elektrická bezpečnost

1. Nevystavujte elektrické nýtovací kleště dešti a vlhkosti. Voda vniká do nýtovacích kleští zvyšuje riziko úrazu elektrickým proudem.

Osobní bezpečnost

1. Buďte pozorní, sledujte, co právě děláte a používejte elektrické nýtovací kleště rozumným způsobem. Nepoužívejte elektrické nýtovací kleště, pokud jste unaveni nebo pod vlivem alkoholu, drog nebo

léků. Chvilková nepozornost při práci s nýtovacími kleštěmi může vést k vážným zraněním.

2. Noste ochranné oděvy a vybavení. Vždy noste chránič sluchu. Ochranné vybavení například protiprachové masky, protiskluzová obuv, ochranná helma nebo ochranné brýle, chránič

sluchu (podle toho, v jakých podmínkách a k jakému účelu elektrické nýtovací kleště používáte), snižují riziko zranění.

3. Zabraňte nechtěnému spuštění nýtovacích kleští. Před zapojením nýtovacích kleští do elektrické sítě nebo před připojením akumulátorů, při zvedání nebo nesení nýtovacích kleští se přesvědčte, zda jsou nýtovací kleště vypnuty. Nechat prsty na spoušti zapnutých nýtovacích kleštích při přenášení nebo připojování do sítě může způsobit vážná zranění.

4. Před zapnutím nýtovacích kleští odstraňte seřizovací nástroje nebo šroubováky. Seřizovací nástroj nebo šroubovák umístěný v rotační části zařízení může způsobit vážná zranění.

5. Vyvarujte se nepřírozaného držení těla. Stůjte pevně a vždy stabilně. Tak máte nýtovací kleště lépe pod kontrolou, pokud nastane neočekávaná situace.

6. Noste vhodný pracovní oděv. Nenoste široké oděvy. Nedovolte, aby se vlasy, oděv a rukavice dostaly do blízkosti pohyblivých částí zařízení. Široký oděv, dlouhé vlasy mohou být zachyceny pohyblivými částmi nýtovačky.

Práce a zacházení s elektrickými nýtovacími kleštěmi

1. Nepřetěžujte nýtovací kleště. Používejte nýtovací kleště, které jsou vhodné pro vaši práci. Vhodné nýtovací kleště vám umožní pracovat lépe a bezpečně ve specifikovaném rozmezí výkonu.

2. Nepoužívejte nýtovací kleště s poškozeným vypínačem. Nýtovací kleště, které nejdou vypnout a zapnout, jsou nebezpečné a musí být opraveny.

3. Před seřizováním zařízení, výměnou příslušenství nebo při odložení nýtovacích kleští vytáhněte zástrčku ze zásuvky a vyjměte akumulátor. Toto bezpečnostní opatření zabrání nechtěnému spuštění elektrických nýtovacích kleští.

4. Nepoužívané elektrické nýtovací kleště skladujte mimo dosah dětí. Nedovolte, aby s nýtovacími kleštěmi pracovali osoby, které nebyly s jejich používáním obeznámeny, nebo které nečetly tyto bezpečnostní pokyny. V rukou nezkušené osoby se nýtovací kleště stává nebezpečným zařízením.

5. Věnujte pozornost údržbě elektrických nýtovacích kleští. Zkontrolujte, zda pohyblivé součásti bezvadně fungují a zda neváznou. Zkontrolujte, zda nedošlo k poškození některých dílů, které by mohlo ovlivnit fungování nýtovacích kleští. Před použitím zařízení poškozené díly opravte. Mnoho úrazů způsobených elektrickými nýtovacími kleštěmi vzniká nedodržením údržby.

6. Používejte nýtovací kleště, příslušenství, nástroje atp. v souladu s těmito pokyny. Vezměte do úvahy pracovní podmínky a druh práce. Používání elektrických nýtovacích kleští k jiné činnosti, než ke které jsou určeny, může vést k vzniku nebezpečných situací.

7. Vibrace nářadí jsou pod 2,5 m/s².

Servis

1. Opravu elektrických nýtovacích kleští nechte provést pouze kvalifikovanými pracovníky a používejte pouze originální náhradní díly. Tím bude zaručena stálá bezpečnost nýtovacích kleští

Důležité upozornění:

1. Při práci, při které nýtovací matice může narazit na skryté elektrické vedení, držte nýtovací kleště v místech elektricky izolovaných. Nýtovací matice, která by narazila na elektrické vedení by mohla vést k úrazu elektrickým proudem.

DŮLEŽITÉ BEZPEČNOSTNÍ POKYNY PRO NABÍJEČKU A AKUMULÁTOR

1. Přečtěte si všechny pokyny a upozornění na nabíječce, akumulátoru a výrobku, který používá akumulátor.

2. Nevystavujte baterii a nabíječku vodě, dešti či sněhu.

3. Vždy používejte nýtovací kleště pouze s akumulátorem pro ni určeným. Použití jakéhokoli jiného akumulátoru může způsobit zranění a požár.

4. Nenabíjejte při vyšším napětí než doporučeným ve specifikacích nabíječky, nabíječka by se mohla vznítit.

5. V nabíječce nabíjejte pouze akumulátory schválené výrobcem. Použití jiného typu akumulátoru v nabíječce, než pro který je navržena, může způsobit požár.

6. Při vypořádání zástrčky nabíječky ze sítě uchopte kabel za zástrčku. Tím snížíte riziko poškození zástrčky.

7. Ujistěte se, že nabíječka není umístěna v místě, kde by mohl někdo šlápnout na kabel, zakopnout nebo kde by mohla být jinak poškozena.

8. Prodlužovací kabel použijte, pouze je-li to nezbytně nutné. Použití nevhodného prodlužovacího kabelu může způsobit požár a zranění elektrickým proudem. Ujistěte se, že prodlužovací kabel je vhodný a správně zapojený.

9. Pokud je poškozený kabel či zástrčka, nepoužívejte nabíječku okamžitě je vyměňte.

10. Nepoužívejte nabíječku, pokud utrpěla náraz, spadla nebo je jinak poškozena, zašlete ji do autorizovaného servisu.

11. Před manipulací či čištěním vypojte nabíječku ze sítě. Tím snížíte riziko zranění elektrickým proudem. Pouhé vynětí akumulátoru riziko nesníží.

12. Nikdy nenabíjejte již nabitý akumulátor, přetížení zkracuje jeho životnost.

13. Při nesprávném používání může z akumulátoru vytéct kapalina. Snažte se zabránit kontaktu s touto kapalinou. Pokud náhodou dojde k potřísnění osoby kapalinou, očistěte místo vodou. Pokud se kapalina dostane do očí, zavolejte následně zdravotní pomoc. Vyteklá kapalina může způsobit popáleniny a podráždění kůže.

14. Vhodné nabíjecí prostředí:

a) Teplota nabíjení:

0°C ~ 40°C

b) Teplota vybíjení:

0°C ~ 40°C

c) Skladovací teplota:

-20°C ~ 60°C

Prosím vyčkejte 1 hodinu před nabíjením, pokud byl akumulátor skladován pod bodem mrazu.

15. Pokyny ke skladování akumulátoru:

Nepoužívaný akumulátor udržujte mimo kancelářské sponky, mince, klíče, hřebíky, šroubky nebo jiné malé kovové předměty, které mohou způsobit zkrat kontaktů. Zkratování kontaktů může způsobit popáleniny nebo požár.

a) pokud je akumulátor skladován při nízké teplotě (nižší než -20°C/-4°F) jeho chemické složky budou v tuhém stavu a odpor při nabíjení bude příliš vysoký na to, aby se akumulátor nabil

b) pokud je akumulátor skladován při vysoké teplotě (více než 60°C / 140°F), jeho chemické složky budou ve stavu páry, která může způsobit jeho velmi rychlé vybití.

16. Ochranná funkce lithiového akumulátoru:

a) Funkce «ochrana proti nízkému napětí» je spuštěna při prvním použití lithiového akumulátoru. Nabíjte prosím akumulátor, abyste předešli jeho poškození.

b) Po použití bude teplota akumulátoru stále stoupat. Když teplota přesáhne maximální hodnotu, spustí se funkce «ochrana proti přehřátí». Lithiový akumulátor se zablokuje proti nebezpečnému přehřátí, prosím

vyčkejte, než se schladí.

c) Příliš nabitý akumulátor může způsobit maximální napětí nýtovačky. Akumulátor spustí funkci «ochrana proti přetížení elektrickým proudem» pro ochranu akumulátoru. Nýtovací kleště se na několik sekund

zastaví, než se ochranná funkce vypne. Pokud po několika minutách stále není možné použít nýtovací kleště, je možné, že lithiový akumulátor spustil funkci «ochrana proti nízkému napětí» nebo «ochrana proti přehřátí». Pro přerušení funkce postupujte podle výše uvedených pokynů.

17. Při extrémním užívání či teplotě může dojít k vytečení malého množství tekutiny z akumulátoru. To nemusí znamenat, že je akumulátor poškozen. Pokud je ovšem vnější těsnění poškozeno a tekutina se dostane do kontaktu s kůží:

- Rychle omyjte vodou a mýdlem.

- Zneškodněte kapalinu pomocí slabé kyseliny jako například citronové šťávy či octu.

Pokud se tekutina dostane do očí, vyplachujte čistou vodou alespoň 10 minut a vyhledejte lékařskou pomoc. Informujte lékaře, že tekutina je 25-35% roztok hydroxidu draselného.

18. Neskladujte nebo nenoste náhradní baterii v kapse či kuffiku na náradí nebo kdekoli jinde, kde by mohlo dojít ke kontaktu s kovovými předměty. Mohlo by dojít ke zkratu, který může způsobit poškození

akumulátoru, popáleniny či požár. Při skladování či likvidaci akumulátoru, pokryjte izolační páskou, abyste předešli zkratu. Baterie se při dlouhém skladování vybijí.

19. NEBEZPEČÍ: pokud je akumulátor jakkoli poškozen, nevládejte ho do nabíječky. Mohlo by dojít ke zranění elektrickým proudem.

20. VAROVÁNÍ: Nevystavujte nabíječku jakékoli kapalině, mohlo by dojít k úrazu elektrickým proudem.

21. Do not place any object on the top of the charger as it could cause overheating. Do not place the charger near any heat source.

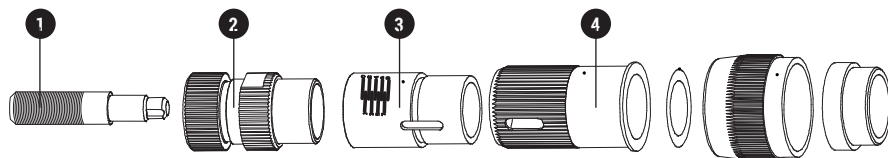
22. Nerozebírejte nabíječku. obraťte se na autorizovaný servis, v případě nutnosti opravy. Nesprávné smontování může způsobit požár či úraz elektrickým proudem.

23. Tento výrobek není určen osobám či dětem se sníženými schopnostmi - fyzickými, senzorickými či mentálními nebo nedostatkem zkušeností - či znalostí, pokud nebyly supervizovány či instruovány ohledně výrobku osobou zodpovědnou za jejich bezpečí.

24. Pokud je kabel poškozený, musí být vyměněn výrobcem, autorizovaným servisem či podobně kvalifikovanými osobami, aby nedošlo k žádnému riziku.

NASTAVENÍ NÝTOVACÍCH KLEŠTÍ

1 - UMÍSTĚNÍ MATICE



- Matici nasadíte na trn **1** automaticky tak, že na matici nasazenou na trn lehce zatlačíte.
- Nastavte délku trnu pomocí nastavovací a pojistné matice **2**.



Trn musí projít maticí, jak je uvedeno na obrázku.
Před úpravou zdvihu vyjměte matici.

2 - NASTAVENÍ ZDVIHU



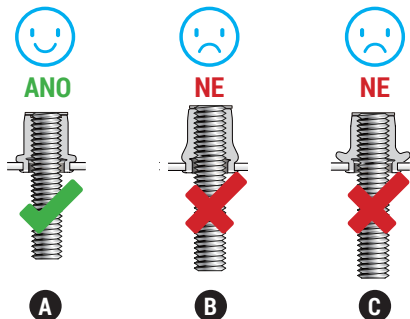
Podle nýtovací matice a tloušťky materiálu musí být zdvih přizpůsobený pro optimální instalaci nýtovací matice.

Nastavení délky zdvihu (pracovního kroku) se provádí zašroubováním/odšroubováním nastavovací matice **4**.
Nastavujte pomocí dílků/stupnice na části **3**:

0 : nejmenší zdvih ► **9** : maximální zdvih

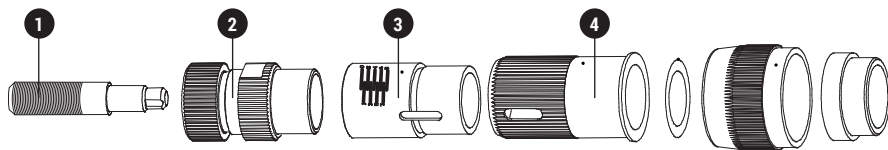
Doporučuje se nastavit na stupeň 2 a provést zkušební instalaci nýtovací matice.

Úprava zdvihu je nezbytná pro dosažení požadované deformace nýtovací matice.

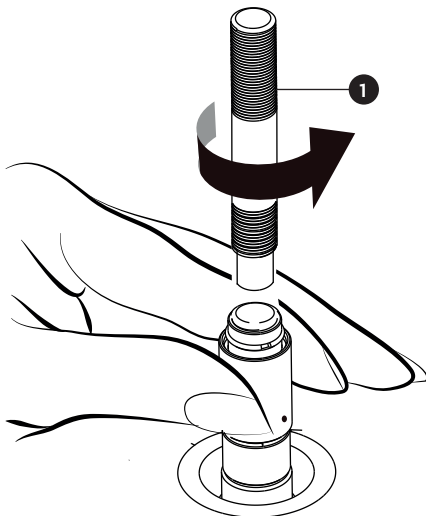
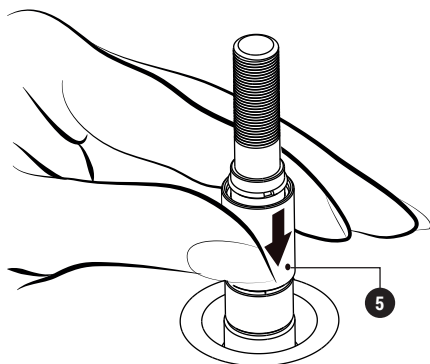


- A** Správně
- B** Nedostatečná deformace
- C** Dlouhý zdvih. Nikdy nenechávejte matici deformovat dlouhým zdvihem. Může dojít k poškození/zničení závitu na trnu nýtovacího nářadí a dále k nemožnosti odstranění (odšroubování) nýtovací matice z nářadí.

3- JAK VYMĚNIT TRN ❶ ?



- Vyměňte baterii.
- Odšroubujte a vyměňte díl ❷.
- Sejměte nastavovací díl ❸ a poté odšroubujte trn ❶.
- Vyměňte trn.
- Doporučuje se natřít nebo namazat trn olejem nebo vazelínou před použitím, aby se zabránilo předčasnému opotřebení.



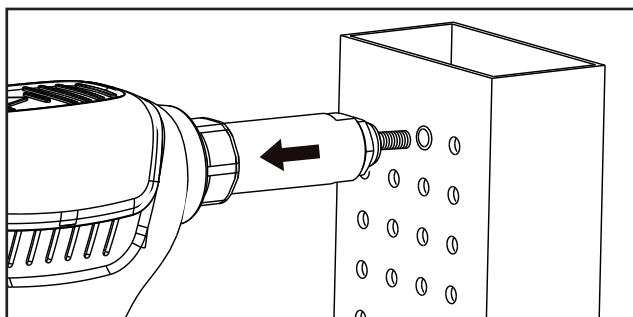
INSTALACE NÝTOVACÍ MATICE

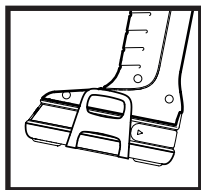
Před instalací nejprve proveďte "nastavení nýtovacích kleští".

- Vložte matici do otvoru a ověřte, že otvor/matice/nástroj jsou srovnány v jedné rovině.
- Stiskněte tlačítko a držte je zmáčknuté během celého instalačního cyklu (přibližně 1 sekundu).



DŮLEŽITÉ:
Automatické odšroubování nýtovací matice spustíte lehkým zatažením nástroje dozadu.





KONTROLNÍ LED SVĚTLA ÚROVNĚ NABITÍ BATERIE

4 kontrolky na baterii vám umožňují zkontrolovat zbývající výkon. Stiskněte a podržte modré tlačítko na baterii a zkontrolujte úroveň nabití baterie:

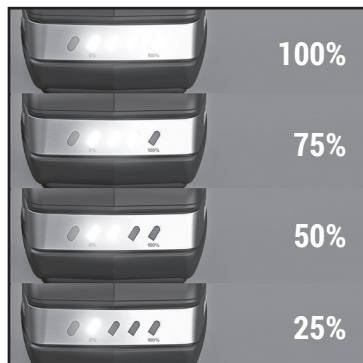
4 svítí: Zbývá 100%

3 svítí: Zbývá 75%

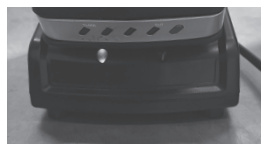
2 svítí: Zbývá 50%

1 svítí: Zbývá 25%

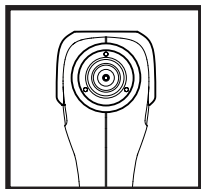
Informace na panelu baterie se mohou lišit (+/- 5%) vlivem podmínek prostředí.



Červené světlo na nabíječce: baterie musí být nabitá/nabíjí se



Zelené světlo na nabíječce: baterie je plně nabitá



LED SVĚTLA



Nástroj je vybaven třemi výkonnými LED diodami pro osvětlení pracoviště.

Pokud chcete pouze zapnout světla:

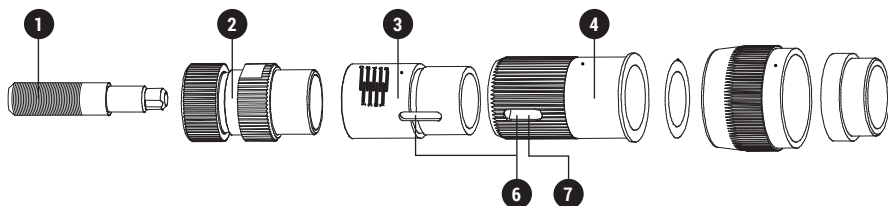
Stisknutím spouště do poloviny zapnete světlo. Světla se vypnou po 10'.

Pracovní cyklus se zapnutými světly:

Stiskněte spoušť pro instalaci nýtovací matice. Světla se rozsvítí a zůstávají svítit inásledujících 10' po uvolnění spouště.

ŘEŠENÍ PROBLÉMŮ

ZABLOKOVANÝ NÁSTROJ NA KONCI CYKLU



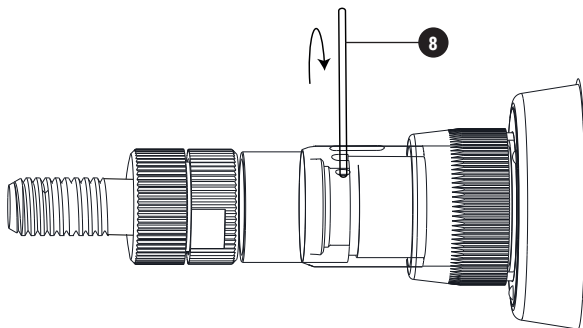
Nástroj nebyl uvolněn na konci instalačního cyklu a automatické odšroubování osazené nýtovací matice není možné.

V takovém případě musí být nástroj uvolněn ručně následujícím způsobem:

1. Otočte díl nastavení zdvihu **4** tak, aby se zarovnal štěrbin **6** dílů **3** a **4**.
2. Otočte trn **1**, dokud se neobjeví otvor **7**.



3. Zasuňte kolík **8** do otvoru **7**, aby se zablokovalo otáčení trnu.
4. Poté nástroj otočte proti směru hodinových ručiček, aby se uvolnil.



EN DALŠÍ BĚŽNÉ PROBLÉMY

FR

PL

CZ

IT

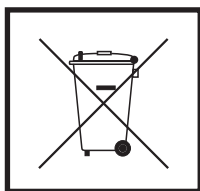
Problém	Důvod	Řešení
Blikající LED	Nízké napětí baterie nebo poškozená baterie	Nabijte nebo vyměňte baterii
	Překročení kapacity nástroje (pracovního rozsahu)	
	Přehřátí nástroje	Nechejte nástroj chvíli vychladnout
Našroubování nýtovací matice na trn jde těžko	Opotřebovaný nebo poškozený trn	Vyměňte trn

PODMÍNKY ZÁRUKY

Během záruční doby nesmí zákazník učinit žádné změny mimo změn schválených výrobcem - (údržba). Oprava musí být provedena autorizovaným servisním centrem.

Při opravě v záruce musí zákazník vrátit defektní výrobek servisnímu centru spolu s důkazem zakoupení (faktura). Záruka je platná pouze pokud je výrobek v záruční době (12 měsíců od data zakoupení potvrzeným fakturou) a při dodržení záručních podmínek.

Záruka se nevztahuje na výměnu náhradních dílů v souvislosti s běžným užíváním výrobku.



LIKVIDACE STARÉHO ELEKTRICKÉHO VYBAVENÍ

Tento výrobek včetně baterie a nabíječky nesmí být vyhozen do domovního odpadu. Musí být odevzdán do sběrného recyklačního místa. Tím, že se ujistíte, že je likvidace výrobku provedena správně, pomůžete zabránit potenciálním vážným negativním následkům na životním prostředí a lidském zdraví. Recyklace chrání přírodní zdroje. Pro podrobnější informace o recyklaci tohoto výrobku se prosím obraťte na místní úřad, službu odvozu domovního odpadu nebo prodejního místa, kde byl výrobek zakoupen.

PROHLÁŠENÍ O SHODĚ

EC PROHLÁŠENÍ O SHODĚ – EC DIRECTIVE 2006/42/EC ANNEX II 1A



EN

FR

PL

CZ

IT

Výrobce:

SCELL-IT

28 RUE PAUL DUBRULE

59810 LESQUIN

FRANCE

+33(0) 320 329 818

Tímto prohlašuje, že následující produkt:

Označení výrobku:

- E-5 / E-6 / E-T / E-7 / E-8 / E-SP / E-12 / E-HC
- Univerzální rychlá nabíječka 18V (E-CHARG)

Splňuje následující podmínky:

- 2006/42/EC Machinery Directive (Směrnice o strojních zařízeních)
- 2014/35/EU Low Voltage Directive (Směrnice pro nízké napětí)
- 2014/30/EU Electromagnetic Compatibility Directive (Směrnice o elektromagnetické kompatibilitě)

Pokud se nástroj změní bez našeho vědomí a souhlasu, toto EC prohlášení o shodě pozbývá platnosti.

Nejdůležitější uplatňované harmonizované normy:

EN 60204-1:2006 + A1:2009

EN ISO 12100:2010

EN 55014-1:2017

EN 55014-2:2015

Jméno úředníka pro dokumentaci:

Nadia FAYTRE

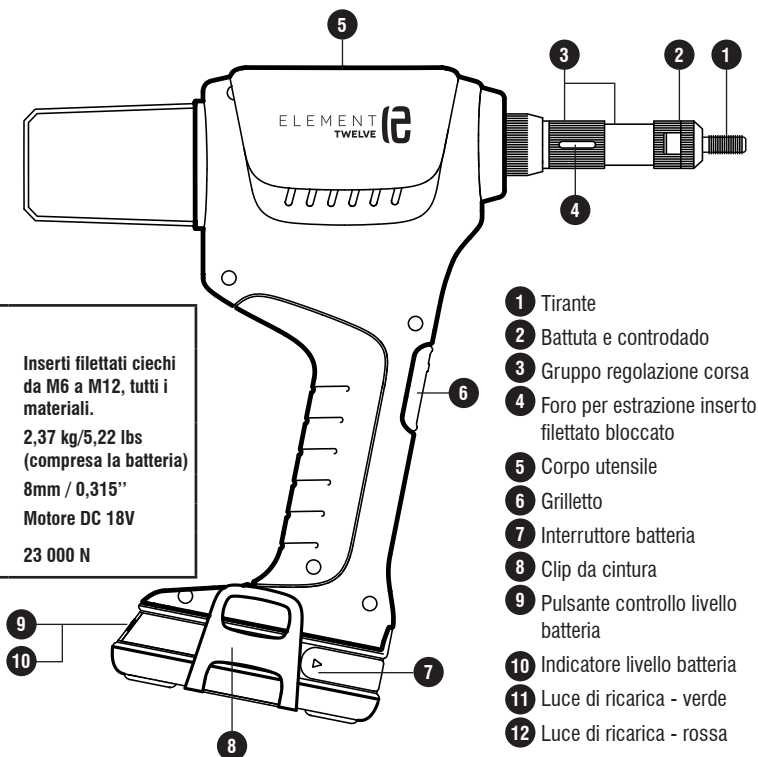
Adresa úředníka pro dokumentaci:

Viz adresa výrobce.

Lesquin, 2019-01-17

Franck De Bruyne
(Výkonný ředitel)

SPECIFICHE TECNICHE



UTENSILE

Capacità: **Inserti filettati ciechi da M6 a M12, tutti i materiali.**

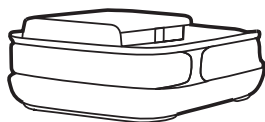
Peso: **2,37 kg/5,22 lbs (compresa la batteria)**

Corsa: **8mm / 0,315"**

Potenza: **Motore DC 18V**

Forza di trazione: **23 000 N**

- 1 Tirante
- 2 Battuta e controdado
- 3 Gruppo regolazione corsa
- 4 Foro per estrazione inserto filettato bloccato
- 5 Corpo utensile
- 6 Grilletto
- 7 Interruttore batteria
- 8 Clip da cintura
- 9 Pulsante controllo livello batteria
- 10 Indicatore livello batteria
- 11 Luce di ricarica - verde
- 12 Luce di ricarica - rossa



BATTERIA

Tensione nominale: **18V**

Tipo batteria: **Li-Ion**

Celle: **5 celle**

Capacità: **2,0 Ah**

Peso: **0,36 kg**



CARICA BATTERIE

Tensione in entrata: **100-240VAC/50-60Hz**

Tensione in uscita: **18VDC**

Corrente in uscita: **2,5 A max.**

Peso: **0,37 kg**

LEGGERE E COMPRENDERE TUTTE LE PRECAUZIONI DI SICUREZZA, LE AVVERTENZE E LE ISTRUZIONI PER L'USO CONTENUTE NEL MANUALE DI ISTRUZIONI PRIMA DI UTILIZZARE O RIPARARE QUESTO STRUMENTO.

IMPORTANTI INFORMAZIONI DI SICUREZZA

AVVERTENZA:

Leggere tutte le avvertenze di sicurezza e tutte le istruzioni. Il mancato rispetto delle istruzioni può provocare scosse elettriche, incendi e/o lesioni gravi.

Conservare tutte le avvertenze e le istruzioni per riferimento futuro.

Area di lavoro

1. Mantenere l'area di lavoro pulita e bene illuminata. Le aree disordinate e buie favoriscono gli incidenti.
2. Non utilizzare utensili elettrici in zone con atmosfere esplosive, ad esempio in presenza di liquidi, gas o polveri infiammabili. Gli utensili elettrici generano scintille che possono incendiare polveri o vapori.
3. Tenere i bambini e le persone non autorizzate lontani dalla zona di lavoro durante l'uso di un utensile elettrico. Le distrazioni possono far perdere il controllo.

Sicurezza elettrica

1. Non esporre i dispositivi elettrici a pioggia o umidità. L'eventuale infiltrazione di acqua nell'utensile aumenta il rischio di folgorazione.

Sicurezza personale

1. L'utilizzo di un utensile elettrico richiede cautela, attenzione e buon senso. Non utilizzare un utensile elettrico in condizioni di stanchezza o sotto l'effetto di droghe, alcolici o farmaci. Un momento di disattenzione durante l'uso di utensili elettrici può provocare gravi lesioni personali.
2. Usare dispositivi di protezione individuali. Indossare sempre occhiali protettivi di sicurezza. Equipaggiamenti protettivi, come mascherina antipolvere, scarpe di sicurezza antiscivolo, casco di sicurezza o protezione dell'udito, utilizzati in condizioni appropriate riducono il rischio di lesioni personali.
3. Prevenire l'accensione accidentale. Assicurarsi che l'interruttore sia in posizione di OFF prima di collegare la

fonte di alimentazione e/o le batterie, quando si afferra o si trasporta l'utensile. Trasportare utensili elettrici tenendo la mano appoggiata sull'interruttore o se gli stessi vengono alimentati con l'interruttore in posizione di ON favoriscono il verificarsi di incidenti.

4. Rimuovere eventuali chiavi di regolazione o chiave inglese prima di accendere l'utensile elettrico. Una chiave inglese o chiave di regolazione collegata a parti rotanti dell'utensile possono causare lesioni personali.
5. Non perdere l'equilibrio. Mantenere sempre una corretta posizione dei piedi e un corretto bilanciamento. Questo permette un migliore controllo sull'utensile elettrico in situazioni impreviste.
6. Indossare un abbigliamento adeguato. Non indossare abiti larghi. Tenere capelli, indumenti e guanti lontani dai componenti in movimento. Abiti larghi o capelli lunghi possono impigliarsi nelle parti in movimento.
7. Controllare che il canestro porta sfride sia fissato bene ed utilizzato correttamente.

Uso e manutenzione di un utensile elettrico

1. Non forzare l'utensile elettrico. Utilizzare il dispositivo elettrico idoneo alla vostra applicazione. L'utensile elettrico appropriato eseguirà il lavoro in modo corretto e più sicuro alla velocità per la quale è stato progettato.
2. Non utilizzare l'utensile se l'interruttore ON/OFF è difettoso. Qualsiasi utensile elettrico che non può essere controllato tramite l'interruttore è pericoloso e deve essere riparato.
3. Scollegare la batteria dall'utensile prima di effettuare qualsiasi regolazione, sostituzione degli accessori o prima di riporlo. Tali misure di sicurezza preventive riducono il rischio di avviare accidentalmente l'utensile.
4. Conservare l'utensile elettrico fuori della portata dei bambini e non permettere che vengano utilizzati da persone che non hanno familiarità con il loro uso o con queste istruzioni. Se utilizzati da utenti inesperti, gli utensili elettrici sono pericolosi.
5. Manutenzione dell'utensile. Controllare che gli attacchi delle parti mobili non siano mal allineate o che le parti non siano rotte e che non sia presente qualsiasi condizione che

possa compromettere il funzionamento dell'utensile elettrico. Se danneggiato, far riparare l'utensile prima dell'uso. Molti incidenti sono causati da utensili elettrici in cattive condizioni di manutenzione.

6. Utilizzare l'utensile elettrico, gli accessori, i rivetti, ecc., in base quanto indicato in queste istruzioni e nel modo previsto per il particolare tipo di utensile, tenendo conto delle condizioni di lavoro e del tipo di lavoro da eseguire. L'uso dell'utensile elettrico per operazioni diverse da quelle previste potrebbe determinare una situazione di pericolo.

Assistenza

1. L'utensile elettrico deve essere riparato da personale qualificato che utilizzi solo parti di ricambio originali. In questo modo si garantirà la sicurezza dell'utensile elettrico.

Avvertenze speciali

1. Impugnare l'utensile utilizzando le parti di presa isolate quando si effettuano operazioni in cui i fissaggi possono venire a contatto con il cablaggio non in vista. I fissaggi che entrano in contatto con un filo sotto tensione potrebbero mettere sotto tensione le parti metalliche esterne dell'utensile esponendo l'operatore ad eventuali scosse elettriche.

IMPORTANTI ISTRUZIONI DI SICUREZZA PER IL CARICA BATTERIE E LA BATTERIA

1. Prima di utilizzare la carica batterie, leggere tutte le istruzioni e le avvertenze sul carica batterie, sulla batteria e sul prodotto che utilizza la batteria.
2. Non esporre la batteria, il carica batterie ad acqua, pioggia o neve.
3. Utilizzare gli utensili elettrici solo con le apposite batterie. L'uso di batterie diverse può generare il rischio di lesioni o incendio.
4. Non caricare ad una tensione superiore a quella indicata nelle specifiche del carica batterie, altrimenti il carica batterie si brucerà.
5. Ricaricare la batteria esclusivamente con il carica batterie specificato dal produttore. Un carica batterie specifico per un solo tipo di batteria può generare un rischio di incendio se usato con altre batterie.
6. Per ridurre il rischio di danni alla spina e al cavo del carica batterie,

scollare la carica batterie estraendo la spina.

7. Controllare che il carica batterie sia posizionato in modo tale da non calpestare il cavo, da non rappresentare un ostacolo, o in altro modo sia soggetto a danneggiamenti o sollecitazioni.

8. Non utilizzare una prolunga se non strettamente necessario. L'impiego di una prolunga non idonea potrebbe determinare un rischio di incendio o scossa elettrica. Se è necessario utilizzare una prolunga, controllare che sia idonea e collegata correttamente.

9. Non utilizzare il carica batterie se il cavo o la spina sono danneggiati - sostituirli immediatamente.

10. Non utilizzare il carica batterie se ha subito urti, se è caduto o se in ogni caso è danneggiato, inviarlo all'assistenza.

11. Per ridurre il rischio di scossa elettrica, scollegare il caricabatteria dalla presa di corrente prima di effettuare qualsiasi operazione di manutenzione o pulizia. La rimozione della batteria non ridurrà il rischio.

12. Non ricaricare mai una batteria completamente carica. Il sovraccarico riduce la durata utile della batteria.

13. In condizioni gravose di utilizzo della batteria, potrebbe fuoriuscire liquido; evitare il contatto. In caso di contatto accidentale con il liquido, sciacquare con acqua. Se il liquido viene in contatto con gli occhi, rivolgersi immediatamente ad un medico. Il liquido che fuoriesce dalla batteria può causare irritazioni o ustioni.

14. Gestione della batteria:

a. Temperatura di ricarica: 0°C ~ 40°C (32°F ~ 104°F)

b. Temperatura di utilizzo: 0°C ~ 40°C (32°F ~ 104°F)

c. Temperatura di stoccaggio: -20°C ~ 60°C (-4°F ~ 140°F)

Attendere un'ora prima di caricare la batteria se la batteria è stata conservata ad una temperatura inferiore a 0°C (32°F).

15. Come conservare la batteria:

Se le batterie non vengono utilizzate, tenerle lontane da altri oggetti metallici, come graffette, monete, chiavi, chiodi, viti o altri piccoli oggetti metallici in

quanto potrebbero collegare i due terminali. Un cortocircuito dei terminali della batteria potrebbe provocare ustioni o un incendio.

a. Se la temperatura delle batterie è bassa (inferiore a - 20°C / -4°F), gli elementi chimici saranno allo stato solido e la resistenza esercitata durante la ricarica sarà troppo elevata per consentire la ricarica della batteria.

b. Se la temperatura delle batterie è alta (superiore a 60°C / 140°F), gli elementi chimici saranno allo stato aeriforme che potrebbero compromettere la durata della batteria in poco tempo.

16. Funzione di protezione della batteria al litio:

a. La "funzione di protezione da basso voltaggio" si avvia quando la batteria al litio viene utilizzata per la prima volta. Caricare la batteria al litio per evitare che la batteria si danneggi.

b. Dopo l'utilizzo, la temperatura della batteria al litio aumenterà. Quando la temperatura della batteria al litio supera la temperatura massima, si attiva la funzione di "protezione per temperatura elevata" della batteria.

La batteria al litio si blocca per evitare surriscaldamenti pericolosi, attendere che la batteria al litio si raffreddi.

c. Il sovraccarico della batteria può causare un picco di tensione nell'utensile. La batteria al litio avvierà la "funzione di protezione da sovraccarico elettrico" per proteggere la batteria al litio e la scheda della batteria.

In questa condizione, l'utensile si arresta per alcuni secondi fino a quando la funzione di protezione si ripristinerà automaticamente. Se l'utensile non può essere utilizzato dopo alcuni minuti, la batteria al litio può essere in modalità "protezione da basso voltaggio" o "protezione da temperatura elevata". Per il ripristino, attenersi a quanto sopra riportato.

17. In condizioni di utilizzo o di temperatura estreme, si potrebbe verificare una lieve perdita di liquido dalla batteria. Ciò non indica necessariamente un guasto della batteria. Tuttavia, se la guarnizione esterna è rotta e questa perdita entra in contatto con la pelle, lavare immediatamente l'area interessata con acqua e sapone. Neutralizzare il liquido con una soluzione acida

delicata quale succo di limone o aceto. Se il liquido entra in contatto con gli occhi, sciacquare immediatamente gli occhi con acqua pulita per almeno dieci minuti, quindi consultare subito il medico. Informare il personale medico che il liquido è una soluzione di idrossido di potassio al 25-35%.

18. Non conservare o trasportare il pacco batterie di ricambio in tasca, nella cassetta degli attrezzi o in qualsiasi altro luogo in cui possa venire a contatto con oggetti metallici. Le batterie possono andare in cortocircuito che può provocare danni alla batteria stessa, ustioni o incendi. In caso di stoccaggio o smaltimento della batteria, coprire i terminali con nastro isolante ad elevata resistenza per garantire che non si verifichi un corto circuito. Se stoccate per un lungo periodo di tempo, le batterie si scaricano.

19. PERICOLO: Se le batterie sono rotte o altrimenti danneggiate, non inserirle nella base di ricarica. Esiste il pericolo di scossa elettrica o folgorazione.

20. AVVERTENZA: Evitare che eventuali liquidi entrino in contatto con il carica batterie. Esiste il pericolo di scossa elettrica.

21. Non collocare oggetti sopra il carica batterie in quanto ciò potrebbe generare un surriscaldamento. Non collocare il carica batterie vicino a fonti di calore.

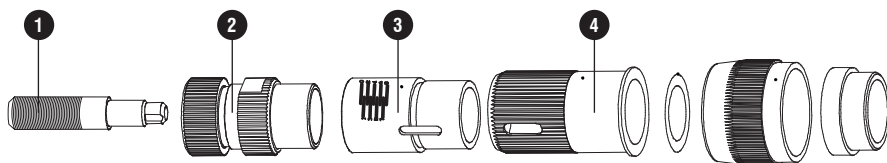
22. Non smontare il carica batterie. Portarlo presso un centro di assistenza autorizzato se sono necessari interventi di assistenza o riparazione. Se il carica batterie non viene rimontato correttamente, esiste il rischio di incendi, lesioni o folgorazione.

23. Questo utensile non deve essere utilizzato da persone (compresi i bambini) con ridotte capacità fisiche, sensoriali o mentali o mancanza di esperienza e conoscenze in materia, se non sotto la supervisione e dietro istruzioni sull'uso dell'utensile da parte di un responsabile della loro sicurezza.

24. Se il cavo di alimentazione è danneggiato, deve essere sostituito dal costruttore, dal suo centro di assistenza autorizzato o da personale qualificato per evitare situazioni di rischio.

REGOLAZIONE DELL'UTENSILE

1- POSIZIONAMENTO INSERTO FILETTATO



- Auto-avvitatura dell'inserto filettato sul tirante **1**. Questo avviene esercitando una lieve pressione sull'inserto stesso
- Regolare la lunghezza del tirante agendo sul particolare **2**.



Il tirante deve uscire dall'inserto filettato come indicato in figura.
In seguito rimuovere l'inserto filettato prima di regolare la corsa.

2- REGOLAZIONE DELLA CORSA



In base all'inserto filettato e allo spessore da serrare, regolare la corsa affinché il serraggio sia ottimale.

Regolare la corsa avvitando/svitando il particolare **4**.
Vedi scala millimetrata sul particolare **3**:

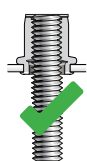
0: corsa minima ► 9: corsa massima

Si suggerisce di regolare la corsa su **2** ed effettuare una prova di serraggio.

È necessario regolare la corsa per ottenere la deformazione richiesta.



SI



A



NO



B



NO

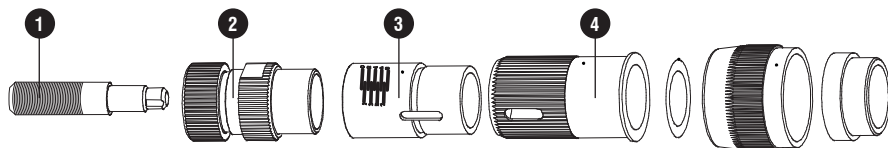


C

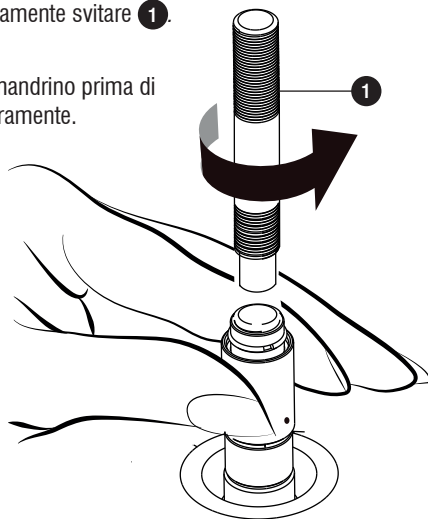
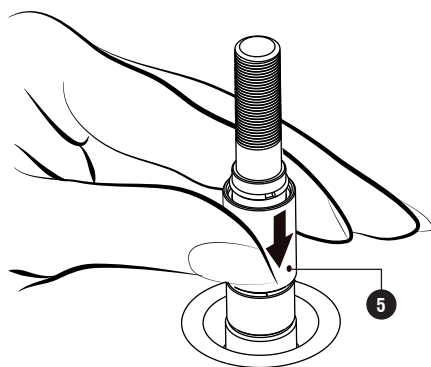
- A** Impostato correttamente
- B** Parzialmente impostato, perciò non conforme
- C** Serraggio eccessivo
Non serrare l'inserto filettato troppo a fondo in quanto si potrebbe danneggiare la filettatura dell'inserto o il tirante.

EN 3- SOSTITUZIONE DEI TIRANTI 1

FR
PL
CZ



- Togliere la batteria.
- Svitare e smontare il particolare 2.
- Abbassare l'aggancio automatico 5 successivamente svitare 1.
- Sostituire il tirante.
- Si raccomanda di oliare o applicare grasso sul mandrino prima di utilizzarlo in modo tale che non si usuri prematuramente.



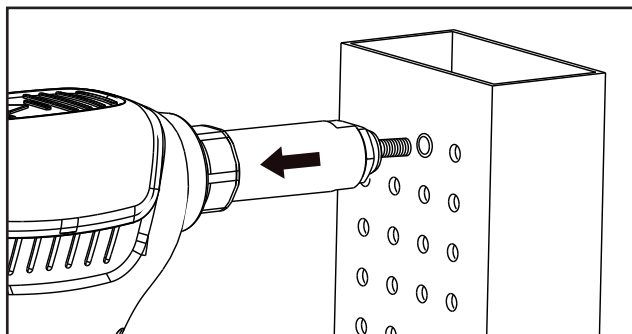
POSA DELL'INSERTO FILETTATO CIECO

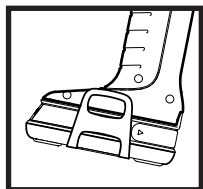
Prima di effettuare la posa, effettuare la « **regolazione dell'utensile** ».

- Inserire l'inserto nel foro e verificare che il foro/inserto/utensile siano allineati.
- Tenere premuto il pulsante durante l'intero ciclo di installazione (circa 1 secondo).



IMPORTANTE:
Accompagnare lo
svitamento automatico
retraendo leggermente
l'utensile.





INDICATORE DEL LIVELLO DELLA BATTERIA

Le 4 luci sul pannello della batteria permettono di controllare la carica residua. Tenere premuto il pulsante blu per controllare il livello della batteria.

4 luci accese: carica residua 100%

3 luci accese: carica residua 75%

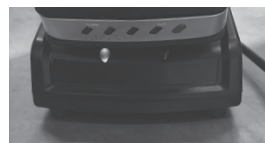
2 luci accese: carica residua 50%

1 luce accesa: carica residua 25%

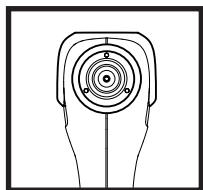
Le informazioni sul pannello batterie possono variare (+/- 5%) in base alle condizioni ambientali.



Luce rossa sul carica batterie: la batteria deve essere caricata.



Luce verde sul carica batterie: la batteria è completamente carica.



LUCI LED



L'utensile è dotato di 3 luci LED potenti per illuminare l'area di lavoro.

Accensione solo della luce:

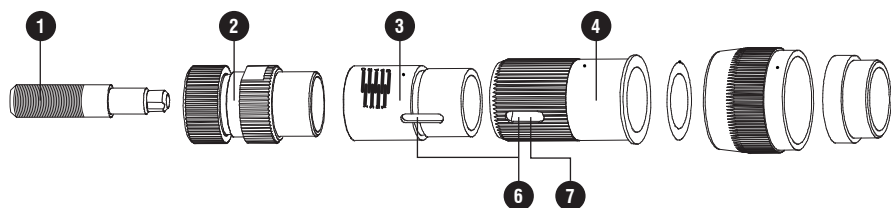
Premere il grilletto fino a metà per accendere la luce. Le luci si spegneranno dopo 10 secondi.

Accensione dell'utensile con luci accese:

Premere il grilletto per impostare il rivetto/inserto filettato cieco. Le luci si accendono e rimangono accese per 10 secondi dopo aver rilasciato il grilletto.

RISOLUZIONE DEI PROBLEMI

UTENSILE BLOCCATO A FINE CICLO



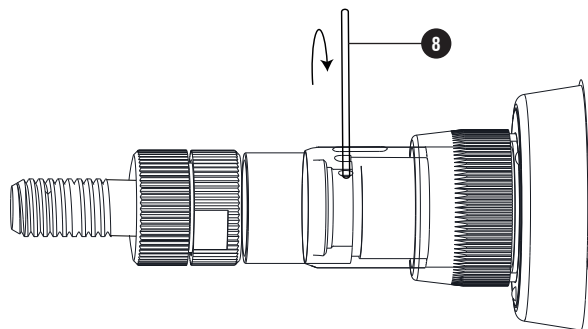
Non è stato possibile sbloccare l'utensile a fine ciclo e lo svitamento automatico non permette di sbloccare l'utensile.

In questo caso sbloccare l'utensile manualmente procedendo come segue:

1. Ruotare il gruppo di regolazione corsa **4** per allineare le scanalature **6** dei particolari **3** e **4**.
2. In seguito ruotare il tirante **1** fino a quando non appare il foro **7**.



3. Inserire il perno **8** nel foro **7** per bloccare la rotazione del tirante.
4. Ruotare poi l'utensile in senso antiorario per sbloccarlo.



RICERCA DEL GUASTO

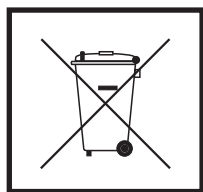
Problema	Motivo	Soluzione
LED lampeggiante	Livello batteria basso o batteria danneggiata	Caricare o sostituire la batteria
	Superata la potenza dell'utensile	
	Surriscaldamento utensile	Lasciarlo raffreddare
Difficoltà di avvitare l'inserito sul tirante	Tirante danneggiato o usurato	Sostituire il tirante

CONDIZIONI DI GARANZIA

Durante il periodo di garanzia, l'utilizzatore non deve apportare modifiche diverse da quelle consentite dal costruttore (manutenzione). Le riparazioni devono essere effettuate da un centro di assistenza autorizzato.

Per avere diritto alla riparazione in garanzia, il cliente deve restituire l'utensile difettoso al centro di assistenza del costruttore con la prova d'acquisto. La garanzia è valida solo se l'utensile è ancora in garanzia (12 mesi dalla data di acquisto confermata dalla prova d'acquisto) e se sono state rispettate le condizioni d'uso.

La garanzia non è valida se devono essere sostituite parti di ricambio usurate (usura dovuta al normale utilizzo dell'utensile).



SMALTIMENTO APPARECCHIATURE ELETTRICHE DISMESSE

Questo prodotto (inclusi batteria e carica batterie) non deve essere trattato come rifiuto domestico. Pertanto deve essere consegnato a un apposito punto di raccolta per il riciclaggio delle apparecchiature elettriche ed elettroniche. Assicurando il corretto smaltimento del prodotto si contribuisce a prevenire le potenziali conseguenze negative per l'ambiente e per la salute dell'uomo, conseguenze che potrebbero altrimenti essere causate da uno smaltimento inappropriato del prodotto. Il riciclaggio dei materiali contribuirà a preservare le risorse naturali. Per informazioni più dettagliate sul riciclaggio di questo prodotto, contattare l'ufficio preposto locale, il servizio di smaltimento dei rifiuti domestici oppure il negozio presso il quale è stato acquistato il prodotto.

DICHIARAZIONE DI CONFORMITA'

DICHIARAZIONE DI CONFORMITA' CE - DIRETTIVA CE 2006/42 ALLEGATO II 1A 

Il costruttore:

SCELL-IT

28 RUE PAUL DUBRULE

59810 LESQUIN

FRANCE

+33(0) 320 329 818

dichiara che il seguente prodotto:

Désignation du produit :

- **E-5 / E-6 / E-T / E-7 / E-8 / E-SP / E-12 / E-HC**
- **CARICA BATTERIE RAPIDO UNIVERSALE 18V (E-CHARG)**

È conforme alle seguenti condizioni:

- **Direttiva macchine 2006/42/CE**
- **Direttiva bassa tensione 2014/35/UE**
- **Compatibilità Elettromagnetica 2014/30/EU**

Se la macchina viene modificata a nostra insaputa e senza il nostro consenso, questa Dichiarazione di Conformità non è valida.

Principali norme applicate:

EN 60204-1:2006 + A1:2009

EN ISO 12100:2010

EN 55014-1:2017

EN 55014-2:2015

Nome del responsabile della documentazione:

Nadia FAYTRE

Indirizzo del responsabile della documentazione:

vedi indirizzo del costruttore

Lesquin, 2019-01-17



Franck De Bruyne
(Managing Director)



28 rue Paul Dubrule - 59810 Lesquin - FRANCE