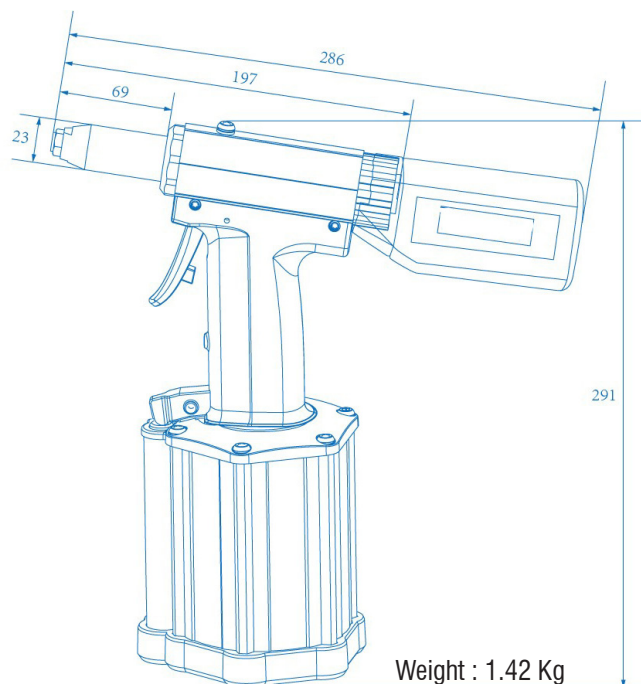


PNEUMATIC BLIND RIVET TOOL WITH VACUUM EXTRACTION

PR500-A



SPECIFICATIONS

Specifications :

- Air supply : 5 - 7 bar.
- Traction Power : 10,300N
- Stroke : 19mm
- 3 nose piece included : 3.2/4.0/4.8

CAPACITY

Blind Rivet	Ø3.0	Ø3.2	Ø4.0	Ø4.8	Ø5.0
ALUMINIUM	✓	✓	✓	✓	✓
STEEL	✓	✓	✓	✓	✓
STAINLESS STEEL	✓	✓	✓	✓	✓

GENERAL FEATURES

