

# SELF-DRILLING INSULATION PLUG

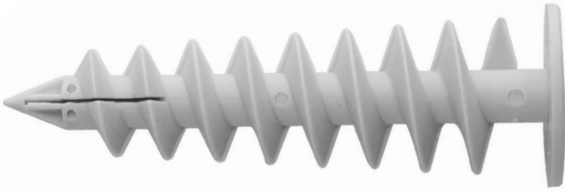
**FIKRONO**

Screw plug in rigid insulating such as polystyrene or polyurethane for fixing light elements.

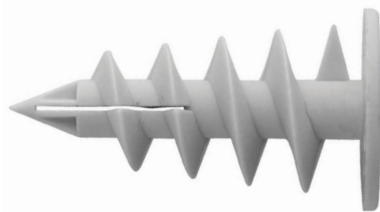
POLYSTYRENE



FIKRONO85



FIKRONO50



**C'EST CARRÉ**  
LES CAHIERS TECHNIQUES SCCELL-IT

**RANGE ETICS**  
EXTERNAL THERMAL INSULATION

## FEATURES

**Material:** Nylon

**Advantage:**

- Simple and fast setting in the external thermal insulation with low thickness coating
- Spiral threading enables perfect anchorage in insulating boards
- Does not create thermal bridges

## APPLICATIONS EXAMPLE

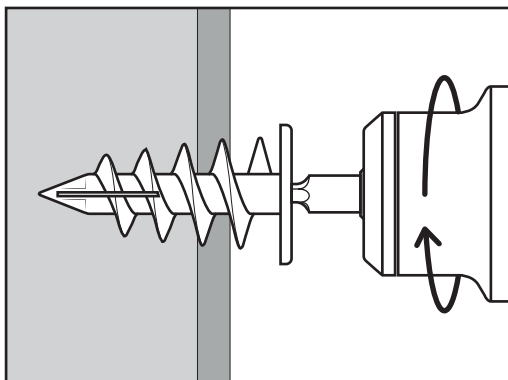
Fixing of light elements:  
lighting, mailboxes, house numbers, gutter collars, light switches, motion detectors.



## INSTALLATION

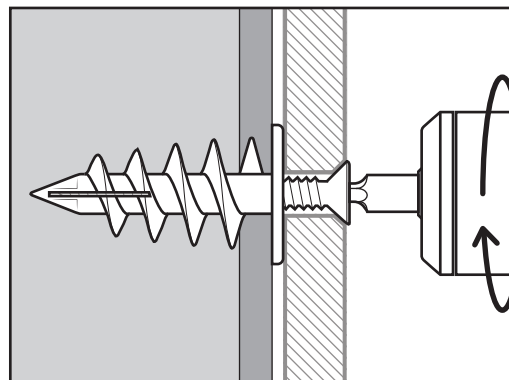
1

Setting by simple screwing in the **FIKRONO** plug directly in the insulating without pre-drilling, with hexagonal bit **HEX5**.



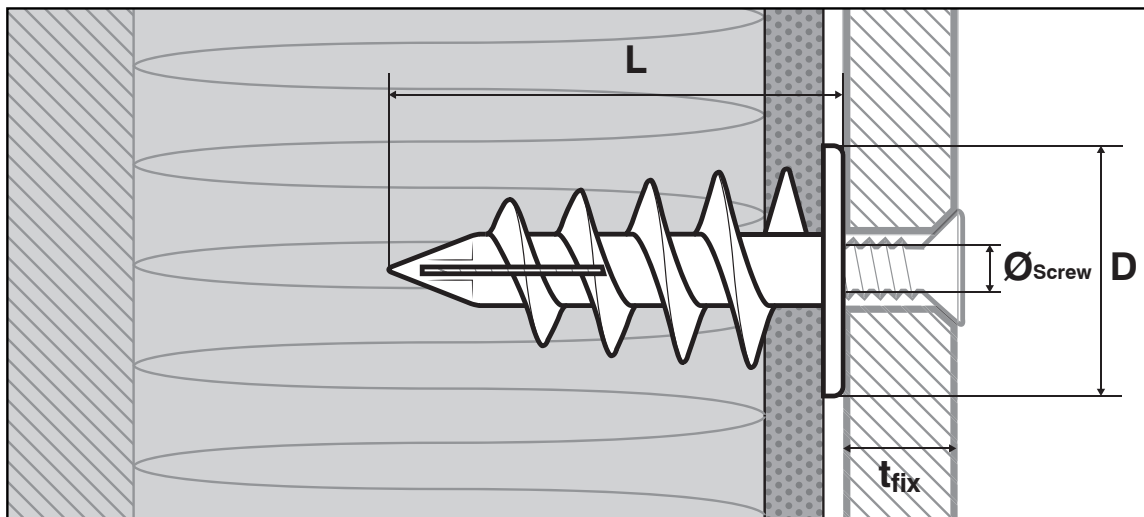
2

Install 4.5mm screw in the middle of the **FIKRONO** plug, through the object to be fixed.



\* Ø screw : **4,5mm**  
Length of the screw : **thickness to fix + 30 à 50 mm**

## DIMENSIONS



Reference	L mm	D mm	ØScrew mm	LScrew mm	Recommended loads* daN
FIKRON050	50	28	4,5	$t_{\text{fix}} + 30 \text{ à } 50$	5
FIKRON085	85	28	4,5	$t_{\text{fix}} + 30 \text{ à } 50$	8

\* Includes security coefficient = 8

## PACKAGING



**CARDBOARD BOX**  
**50pcs**