

HAMMER FIXING

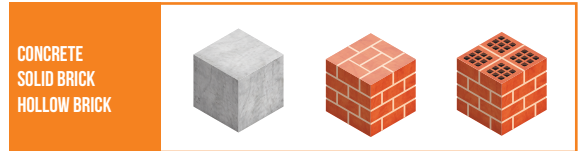
YZZY



COUNTERSUNK HEAD  
YZF

ROUND HEAD  
YZP

LARGE ROUND HEAD  
YZPX



FEATURES

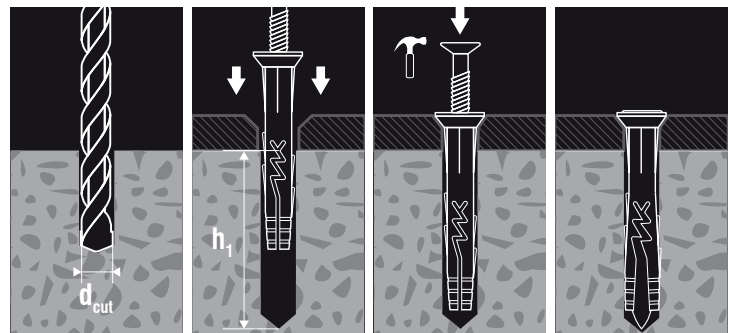
Material:

- Nylon anchor
- Zinc plated nail 5.6 or A4 stainless steel nail

Avantages:

- Mounted anchor for quick installation
- Threaded nail to enable removal
- Design that allows excellent guidance of the nail.
- Exists in pan head, countersunk head and large flange head.

INSTALLATION

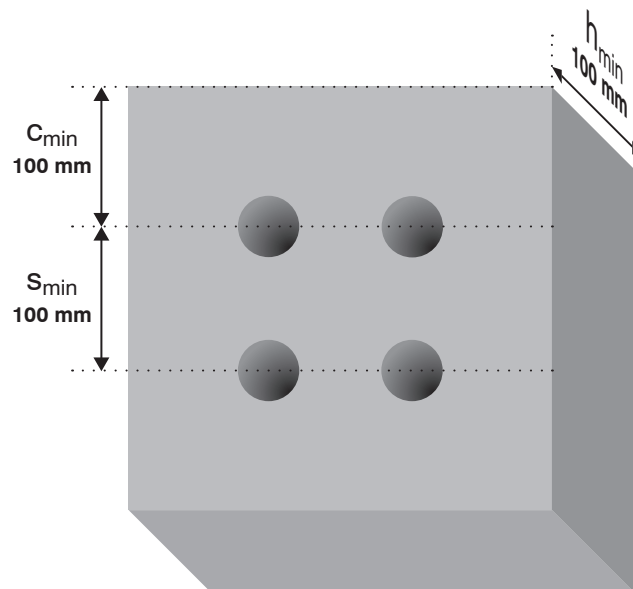


Drill the hole at  $\varnothing_{cut}$  and depth mini  $h_1$

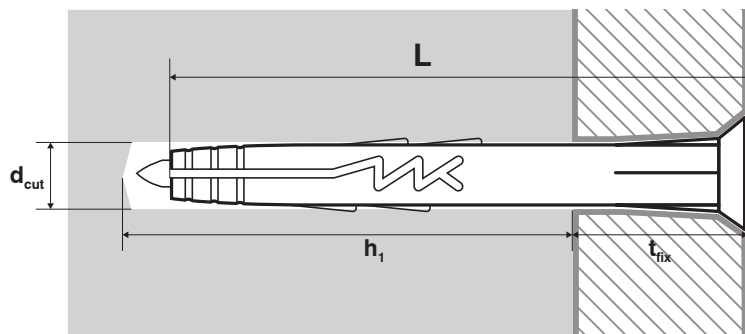
Insert the anchor through the piece to fix

Hit on the nail head to expand the anchor

DIMENSIONS & APPLICATION DATAS



# DIMENSIONS & APPLICATION DATAS



$\emptyset$	L	$d_{cut}$	$t_{fix}$ maxi	$h_1$	STEEL NAIL round head	STEEL NAIL countersunk head	STEEL NAIL large round head	A4 STAINLESS STEEL NAIL round head	A4 STAINLESS STEEL NAIL countersunk head
mm	mm	mm	mm	mm					
<b>5.0</b>	27	5	5	25	<b>YZP5027</b>	<b>YZF5027</b>	-	<b>A4-YZP5027</b>	<b>A4-YZF5027</b>
	37	5	15	25	<b>YZP5037</b>	<b>YZF5037</b>	-	-	-
	47	5	25	25	<b>YZP5047</b>	<b>YZF5047</b>	-	-	-
<b>6.0</b>	32	6	5	30	<b>YZP6032</b>	<b>YZF6032</b>	<b>YZPX6032</b>	<b>A4-YZP6032</b>	-
	40	6	10	33	<b>YZP6040</b>	<b>YZF6040</b>	<b>YZPX6040</b>	<b>A4-YZP6040</b>	<b>A4-YZF6040</b>
	55	6	25	33	<b>YZP6055</b>	<b>YZF6055</b>	-	<b>A4-YZP6055</b>	<b>A4-YZF6055</b>
	67	6	37	33	<b>YZP6067</b>	<b>YZF6067</b>	-	-	-
	80	6	50	33	<b>YZP6080</b>	<b>YZF6080</b>	-	-	-
<b>8.0</b>	45	8	5	43	<b>YZP8045</b>	<b>YZF8045</b>	<b>YZPX8045</b>	<b>A4-YZP8045</b>	-
	60	8	20	43	<b>YZP8060</b>	<b>YZF8060</b>	-	<b>A4-YZP8060</b>	<b>A4-YZF8060</b>
	75	8	35	43	<b>YZP8075</b>	<b>YZF8075</b>	-	<b>A4-YZP8075</b>	<b>A4-YZF8075</b>
	100	8	60	43	<b>YZP8100</b>	<b>YZF8100</b>	-	<b>A4-YZP8100</b>	<b>A4-YZF8100</b>
	120	8	80	43	<b>YZP8120</b>	<b>YZF8120</b>	-	-	-
	135	8	95	43	<b>YZP8135</b>	<b>YZF8135</b>	-	-	-

## RECOMMENDED LOADS

Recommended loads below are for information purposes.

