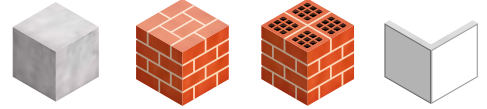


# Universal Plug



CONCRETE  
SOLID BRICK  
HOLLOW BRICK  
DRYWALL



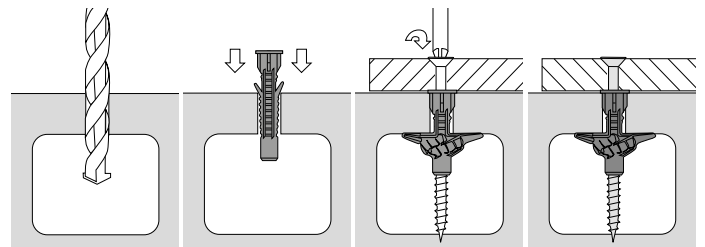
## FEATURES

**Material :** Nylon

**Advantages :**

- Excellent loading thanks to the deformation of the plug.
- Excellent performance from -20 °C to + 60 °C

## INSTALLATION

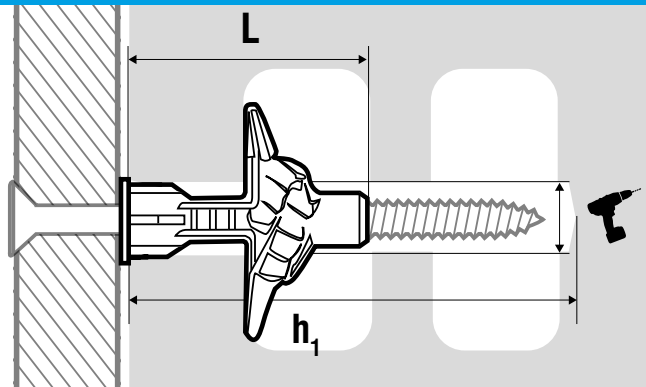


Drill the hole at  $\varnothing$   $d_{cut}$  and depth  $mini\ h_1$

Insert the plug

Set the fixture in expanding the plug with a «wood screw»

## DIMENSIONS & APPLICATION DATAS



$\varnothing$	L	$\tau$	$h_1$	$L_{vis}$	$\varnothing_{vis}$	Reference
	mm	mm	mm	min mm	min-max	
<b>6</b>	35	6	45	35	4.0	<b>ELEK06</b>
<b>8</b>	42	8	50	45	4.5	<b>ELEK08</b>
<b>10</b>	60	10	70	55	5.0	<b>ELEK10</b>