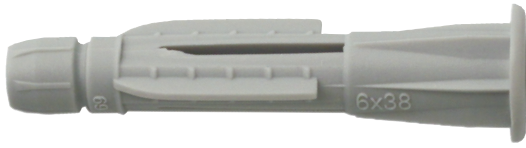


**UNIVERSAL PLUG**



CONCRETE  
SOLID BRICK  
HOLLOW BRICK  
DRYWALL  
CONCRETE BLOCKS



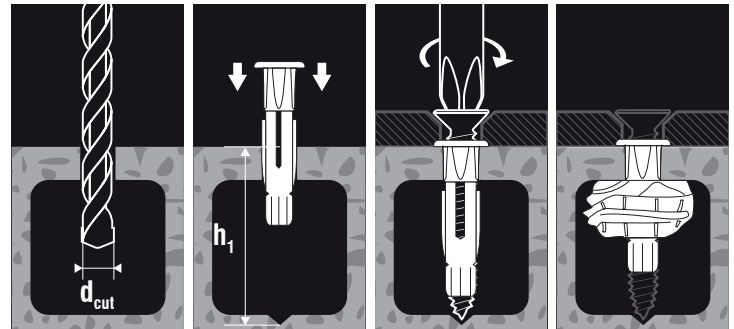
**FEATURES**

**Material:** HD Polypropylen

**Advantages:**

- Excellent locking performance thanks to the deformation of the plug.
- Excellent behavior from -10 °C to + 60 °C

**INSTALLATION**

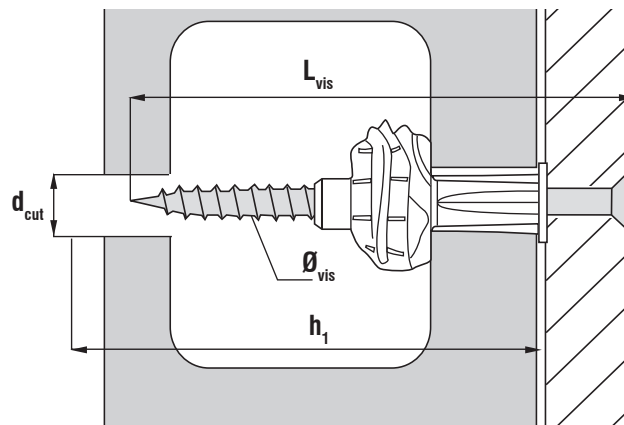


Drill the hole at  $\varnothing d_{cut}$  and depth mini  $h_1$

Insert the plug

Set the fixture in expanding the plug with a «wood screw»

**DIMENSIONS & APPLICATION DATAS**



$\varnothing$	L	$d_{cut}$	$h_1$	$L_{vis}$	$\varnothing_{vis}$	Reference
mm	mm	mm	mm		mm	
<b>5.0</b>	30	5	40	35	3.0-4.0	<b>UNIC0530</b>
<b>6.0</b>	37	6	50	45	4.0-4.5	<b>UNIC0637</b>
	50	6	60	55	4.0-4.5	<b>UNIC0650</b>
<b>7.0</b>	30	7	50	40	4.0-4.5	<b>UNIC0730</b>
<b>8.0</b>	50	8	60	55	5.0-6.0	<b>UNIC0850</b>
<b>10.0</b>	60	10	70	65	6.0-7.0	<b>UNIC1060</b>
<b>12.0</b>	70	12	80	75	7.0-8.0	<b>UNIC1270</b>