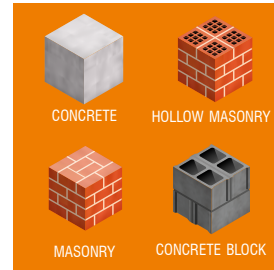


# NYLON LONG EXPANSION PLUGS

## HEX SCREW



### FEATURES

- PA6 nylon plug
- Zinc plated or A4 stainless steel screw

#### features

- ETA for concrete, semi-solid and hollow brick,
- Suitable also for aerated concrete, stone (dense structure, trials recommended)
- Excellent fixing in all materials thanks to long expansion (hnom = 70mm)
- Solid materials: uniform 'swelling' of the plug by quadruple expansion (NK= 120 à 300 daN)
- Hollow materials: the plug forms a 'knot' when expanded
- 100% nylon plug: excellent lifetime, resists to temperature from -20°C to +40°C
- Fire resistant for 90 minutes (FB90) for diameter 10 in concrete and up to 80kg load
- Easy screwing with TORX30 (diam.8) and TORX40 (diam.10) (G•L and G•LH)
- Wide range of application:  
screw: countersunk head, hexagonal head, hexagonal head with flange
- Screw: zinc plated and stainless steel
- Plug: 8 and 10, length 80-240mm

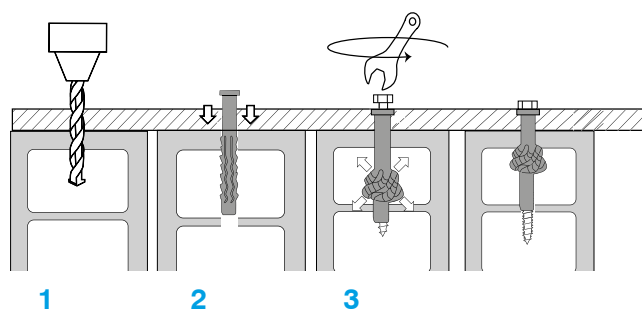
### APPLICATIONS EXAMPLES

- Short versions
  - light wooden or metal frames
- Long versions
  - frames and siding
  - cladding
  - windows
  - rafters



### INSTALLATION

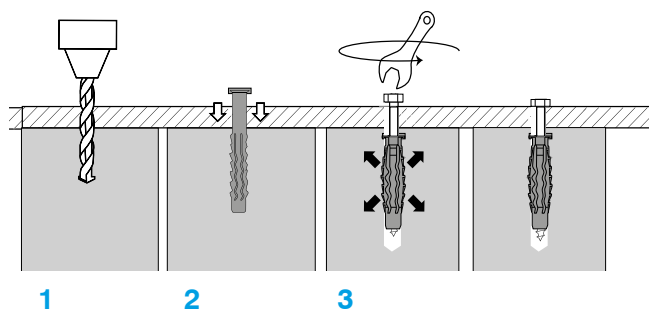
#### Hollow walls



- 1) • drill without damaging the concrete structure and while respecting the drilling method recommended in annex 6 of the ETA 12/0374.
  - Remove dust from the hole

- 2) The nylon plug is set by light hammer strokes

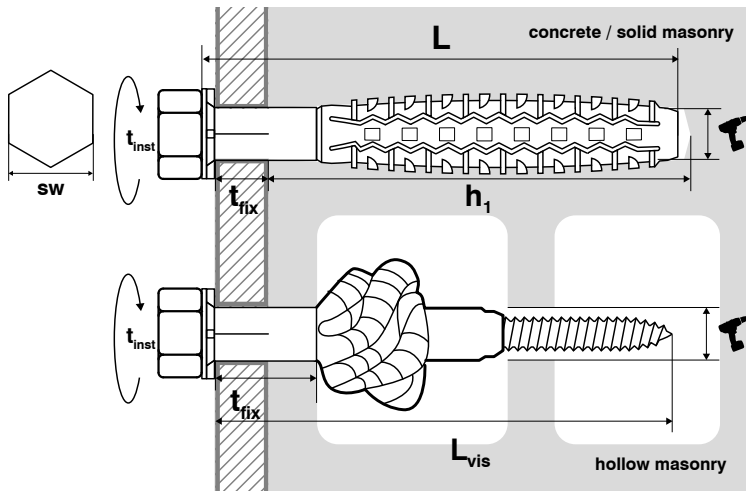
#### Solid walls



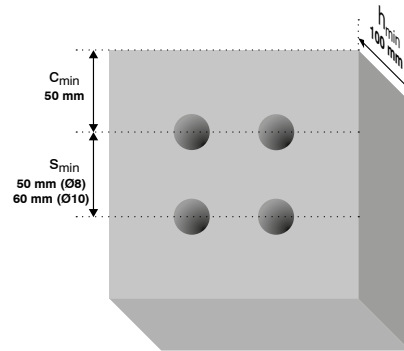
- 3) Special screw is screwed until the screw head touches the plastic ring. The plug is correctly installed if the plastic ring does not turn in the hole and if no more movement of the screw is possible.

If installing in hollow materials, be sure that the expansion happens (by 'knotting' in the support material)

DIMENSIONS & APPLICATIONS DATAS



In concrete ≥ C16/20



Ø	L	t <sub>fix</sub>	τ	h <sub>1</sub>	L <sub>vis</sub>	SW	Ø <sub>vis</sub>	REFERENCES
Diameter	Length	T <sub>fix</sub>	Ø drill	drill depth	screw length	socket wrench	screw diameter	steel HEX screw
<b>10</b>	80	10	10	70	85	13	7.0	<b>G-LS10080</b>
	100	30	10	70	105	13	7.0	<b>G-LS10100</b>
	120	50	10	70	120	13	7.0	<b>G-LS10120</b>
	140	70	10	70	140	13	7.0	<b>G-LS10140</b>
	160	90	10	70	165	13	7.0	<b>G-LS10160</b>
	200	130	10	70	205	13	7.0	<b>G-LS10200</b>
	240	170	10	70	245	13	7.0	<b>G-LS10240</b>
	260	190	10	70	265	13	7.0	<b>G-LS10260</b>

RECOMMENDED LOADS

The loads below are based on values indicated in ETA n°12/0090 with application of:  
 - partial security coefficient  $\gamma_M$  of ETA and ETAG 014.  
 - partial action coefficient  $\gamma_F = 1,4$ .

