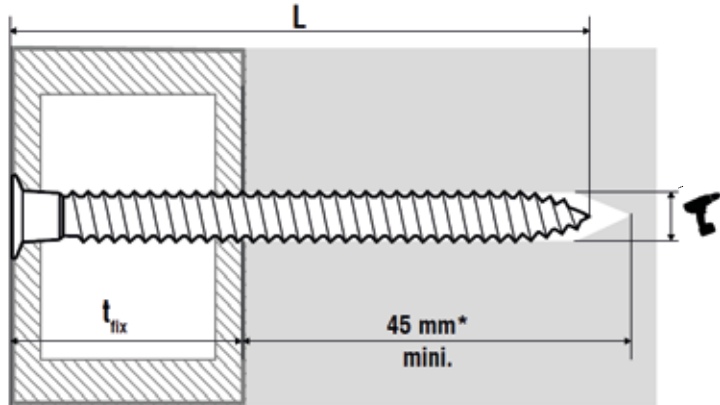
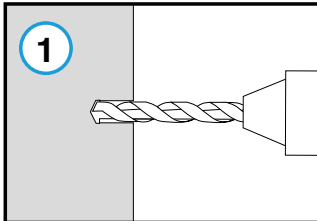


# CONCRETE SCREW WHITE ZINC PATED

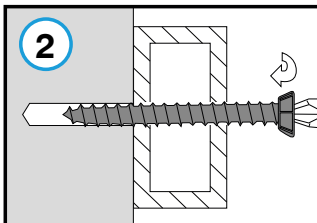


| Item code | Size                   | Hole Size | Fasten up to | Qty Per Box | Qty per outer | Weight Per 100 |
|-----------|------------------------|-----------|--------------|-------------|---------------|----------------|
|           | $\varnothing \times L$ |           | tfix         |             |               |                |
|           | mm                     | mm        | mm           |             |               | kg             |
| CWS75062  | 7.5 x 62               | 6         | 20           | 100         | 1 200         | 1.45           |
| CWS75082  | 7.5 x 82               | 6         | 40           | 100         | 1 200         | 1.72           |
| CWS75102  | 7.5 x 102              | 6         | 60           | 100         | 800           | 2.53           |
| CWS75122  | 7.5 x 122              | 6         | 80           | 100         | 600           | 2.93           |
| CWS75152  | 7.5 x 152              | 6         | 110          | 100         | 600           | 3.16           |

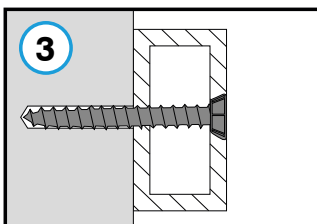
• **INSTALLATION INSTRUCTIONS:**



1 Drill according to the **hole size** diameter and min depth **45 mm**, clean the hole



2 Insert the screw through the material to be fixed



3 Screw until it is flush with the part to be fixed