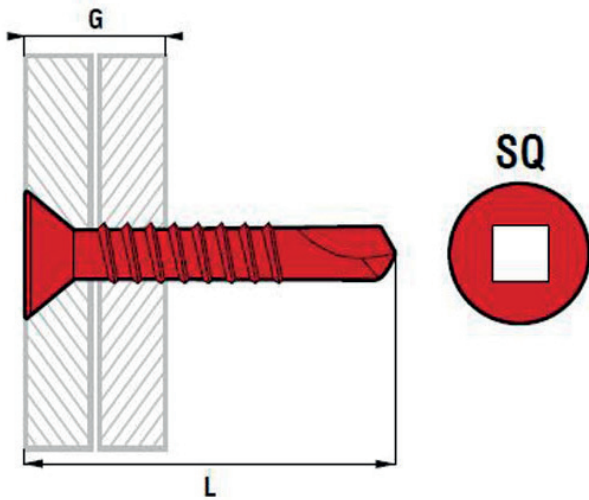




Sheet Metal Working Screw

**SCREW, COUNTERSUNK HEAD,  
BRIGHT ZINC-PLATED STEEL**



∅	L	G	Art. number
Diameter	mm	mm	
<b>3.5</b>	13	7	TFQ35013
	16	10	TFQ35016
	19	13	TFQ35019
<b>3.9</b>	13	7	TFQ39013
	16	10	TFQ39016
	19	13	TFQ39019
	25	19	TFQ39025
	32	26	TFQ39032
	38	32	TFQ39038
<b>4.2</b>	16	9	TFQ42016
	19	12	TFQ42019
	25	18	TFQ42025
	32	25	TFQ42032
	38	31	TFQ42038
<b>4.8</b>	16	7	TFQ48016
	19	10	TFQ48019
	25	16	TFQ48025
	32	23	TFQ48032
	38	29	TFQ48038
	45	36	TFQ48045
	50	41	TFQ48050
	60	51	TFQ48060
	70	61	TFQ48070
80	71	TFQ48080	

**Specification**

∅	 adaptor	 hole diameter	 shear	 tensile	 torque	 max rpm
Diameter		mm	N	N	N.m	tr/min
<b>3.5</b>	SQ1	2.0	2 930	5 000	2 800	2 500
<b>3.9</b>	SQ2	2.5	3 650	6 000	3 800	2 500
<b>4.2</b>	SQ2	3.0	4 360	7 000	4 800	2 500
<b>4.8</b>	SQ2	4.0	6 280	10 000	7 000	2 000