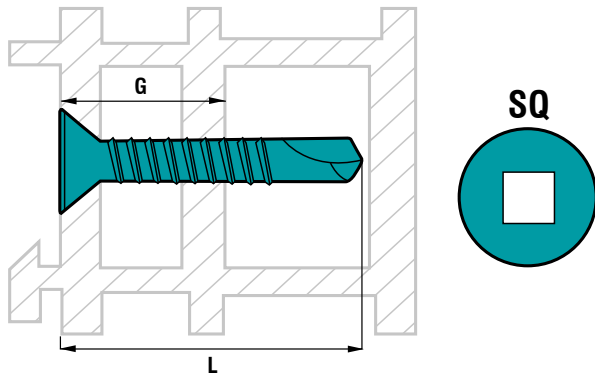







Sheet Metal Working Screw

**STAINLESS A2, CSK HEAD,
SQUARE DRIVE
FOR ALUMINIUM PROFILES ONLY**



Ø	L	G	Art. number
Diameter	mm	mm	
3.5	13	8	TFQN35013
	16	11	TFQN35016
	19	14	TFQN35019
3.9	16	10	TFQN39016
	19	13	TFQN39019
	25	19	TFQN39025
	32	26	TFQN39032
4.2	19	12	TFQN42019
	22	15	TFQN42022
	25	18	TFQN42025
	32	25	TFQN42032
	38	31	TFQN42038
4.8	19	10	TFQN48019
	25	16	TFQN48025
	32	23	TFQN48032
	38	29	TFQN48038
	50	41	TFQN48050
	60	51	TFQN48060
	70	61	TFQN48070
	80	71	TFQN48080

Specification

Ø	 adaptor	 hole diameter	 shear	 tensile	 torque
Diameter		mm	N	N	N.m
3.5	SQ1	2.0	2 930	2 800	2 800
3.9	SQ2	2.5	3 650	3 800	3 800
4.2	SQ2	3.0	4 360	4 800	4 800
4.8	SQ2	4.0	6 280	7 000	7 000