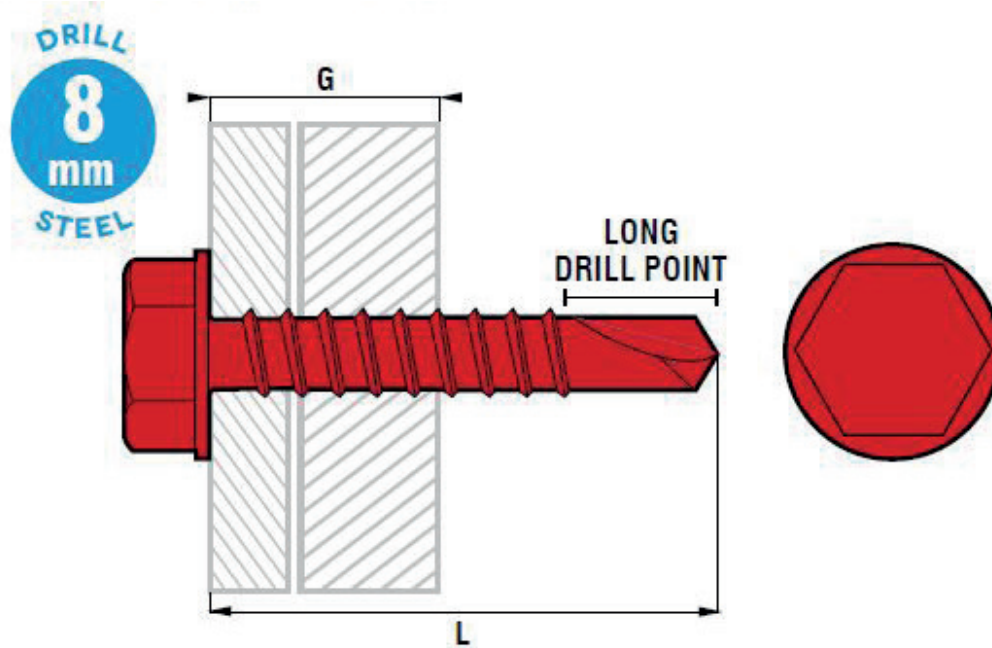


Sheet Metal Working Screw

SELF-DRILLING SCREW, HEXAGONAL HEAD, LONG TIP, BRIGHT ZINC-PLATED STEEL



∅	L	G	Art. number
Diameter	mm	mm	
5.5	38	17	THPL55038

Specification

∅	A/F	hole diameter	shear	tensile	torque	max rpm
Diameter		mm	N	N	N.m	tr/min
5.5	8.0	8.0	8 360	12 500	10 500	1 750