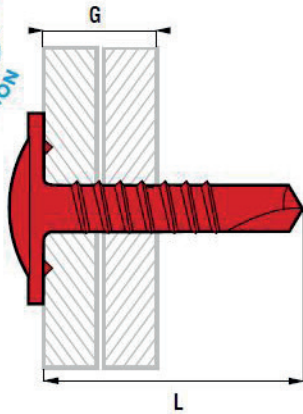


Sheet Metal Working Screw

BRIGHT ZINC-PLATED STEEL, SELF-DRILLING SCREW, WAFER HEAD PHILIPS DRIVE



\emptyset	L	G	Art. number
Diameter	mm	mm	
4.2	13	6	TRLC42013
	16	9	TRLC42016
	19	12	TRLC42019
	25	18	TRLC42025
	32	25	TRLC42032

Specification

\emptyset	adaptor	hole diameter	shear	tensile	torque	max rpm
Diameter		mm	N	N	N.m	tr/min
4.2	PH2	4.0	4 360	7 000	4 800	2 500