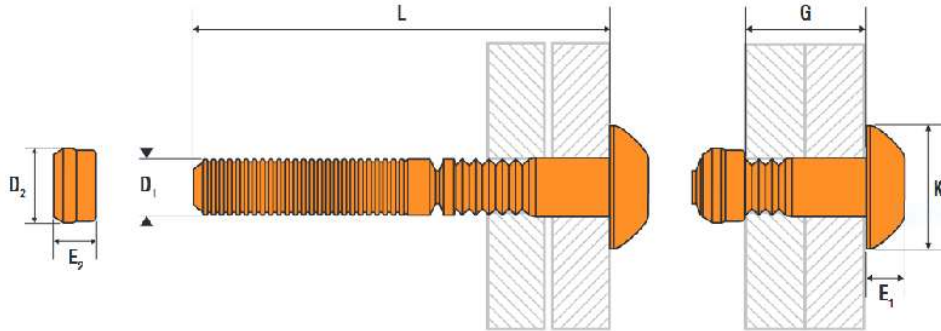


# HBHD - HYPERBOLT

Mandrel: Aluminium. Body: Aluminium. Dome head.



REF/PART NB		L	K	E1			Hole	G
	(mm)	(mm)	(mm)	(mm)	N	N	(mm)	Min-Max (mm)
HBHD0803	6.4	42.9	13.2	3.86	8 300	7 900	6.7	3.2-6.4
HBHD0804		44.5						4.8-7.9

## Shell:

D <sub>1</sub>	D <sub>2</sub>	E <sub>2</sub>	Reference
mm (inches)	mm	mm	
	max.	max.	
6.4	10.39	8.13	HBHD-08