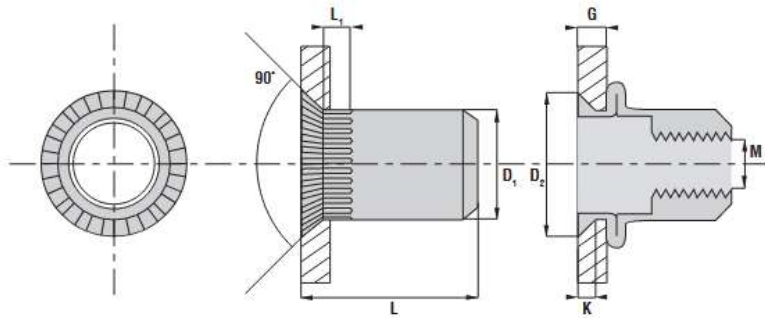


EAK - ALUMINIUM KNURLED COUNTERSUNK INSERT

Insert/Knurled. Countersunk head. Aluminium.



PART NO/REF	M	D ₁	D ₂	K	L	L ₁	G
	Ø (mm)	Ø (mm)	Ø (mm)	(mm)	(mm)	(mm)	min-max (mm)
EAK0435	M4	5.9	9.0	1.5	11.5	4.5	1.5-3.5
EAK0540	M5	6.9	10.0	1.5	13.5	5.0	1.5-4.0
EAK0640	M6	8.9	12.0	1.5	16.0	5.5	1.5-4.5
EAK0840	M8	10.9	14.0	1.5	19.0	5.5	1.5-4.5
EAK1040	M10	12.9	15.0	1.5	21.0	5.5	1.5-4.5

	DRILLING	RECOMMENDED MAX TORQUE	PULL-OUT	SHEAR
M (mm)	(mm)	(Nm)	(N)	(N)
M4	6.0	4.0	2 800	1 000
M5	7.0	5.0	4 900	1 100
M6	9.0	11.3	9 200	2 200
M8	11.0	14.5	14 000	2 400
M10	13.0	20.0	21 000	3 800