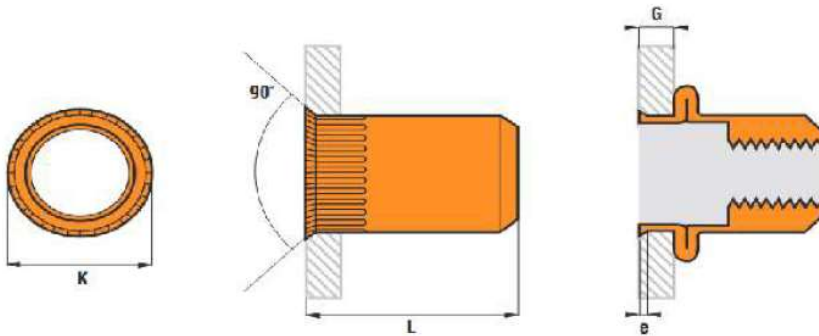


EAR - ALUMINIUM KNURLED REDUCED INSERT

Insert/Knurled. Reduced head. Aluminium.



PART NO/REF	M	K	L	e	Hole	Hole	G
	Ø (mm)	(mm)	(mm)	(mm)	Min (mm)	Max (mm)	min-max (mm)
EAR0430	M4	7.0	10.5	0.5	5.8	6.2	0.5-2.0
EAR0530	M5	8.0	11.5	0.5	6.8	7.2	0.5-2.0
EAR0630	M6	10.0	14.0	0.5	8.8	9.2	0.5-2.5
EAR0830	M8	12.0	15.5	0.5	10.8	11.2	1.0-2.5

	DRILLING	RECOMMENDED MAX TORQUE	PULL-OUT	SHEAR
M (mm)	(mm)	(Nm)	(N)	(N)
M4	6.0	4.0	2 800	1 000
M5	7.0	5.0	4 900	1 100
M6	9.0	11.3	9 200	2 200
M8	11.0	14.5	14 000	2 400