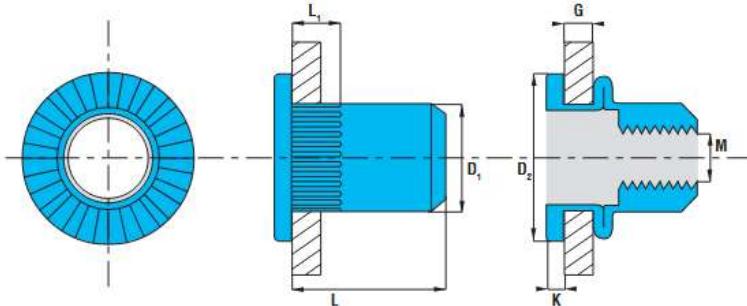


END - STAINLESS A4 KNURLED FLANGE INSERT

Insert/Knurled. Cylindrical head. Stainless steel A4.



PART NO/REF	M	D ₁	D ₂	K	L	L ₁	G
	Ø (mm)	Ø (mm)	Ø (mm)	(mm)	(mm)	(mm)	min-max (mm)
END0430A4	M4	5.9	9.0	1.0	10.0	4.0	0.3-3.0
END0530A4	M5	6.9	10.0	1.0	12.0	4.0	0.3-3.0
END0630A4	M6	8.9	13.0	1.5	14.5	4.0	0.5-3.0
END0830A4	M8	10.9	16.0	1.5	16.0	4.0	0.5-3.0

	DRILLING	RECOMMENDED MAX TORQUE	PULL-OUT	SHEAR
M (mm)	(mm)	(Nm)	(N)	(N)
M3	5.0	1.5	3 800	900
M4	6.0	7.0	6 800	2 600
M5	7.0	10.0	11 700	2 900
M6	9.0	20.0	18 000	4 900