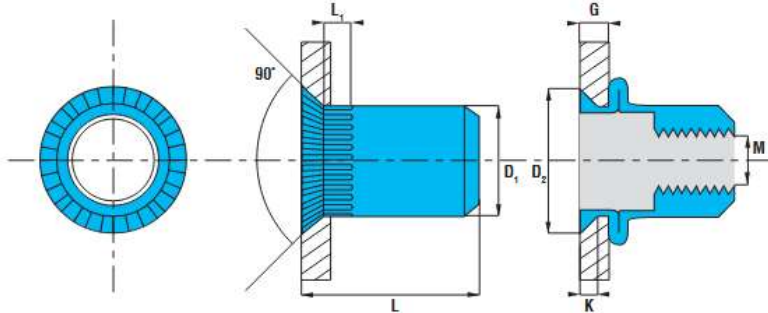


ENK - STAINLESS A2 KNURLED COUNTERSUNK INSERT

Insert/Knurled. Countersunk head. Stainless steel A2.



PART NO/REF	M	D ₁	D ₂	K	L	L ₁	G
	Ø (mm)	Ø (mm)	Ø (mm)	(mm)	(mm)	(mm)	min-max (mm)
ENK0435	M4	5.9	9.0	1.5	11.5	4.5	1.5-3.5
ENK0540	M5	6.9	10.0	1.5	13.5	5.0	1.5-4.0
ENK0645	M6	8.9	12.0	1.5	16.0	5.5	1.5-4.5
ENK0845	M8	10.9	14.0	1.5	19.0	5.5	1.5-4.5
ENK1045	M10	12.9	15.0	1.5	21.0	5.5	1.5-4.5

	DRILLING	RECOMMENDED MAX TORQUE	PULL-OUT	SHEAR
M (mm)	(mm)	(Nm)	(N)	(N)
M4	6.0	7.0	6 800	2 600
M5	7.0	10.0	11 700	2 900
M6	9.0	20.0	18 000	4 900
M8	11.0	28.0	24 000	6 800
M10	13.0	38.0	29 000	7 800