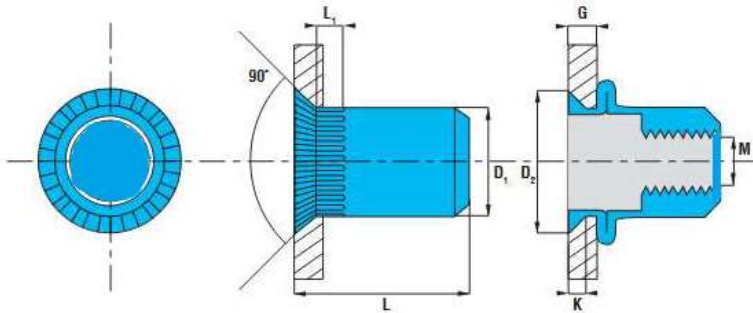


# ENKB - STAINLESS A2 COUNTERSUNK CLOSED END INSERT

Insert / knurled. Countersunk closed end. Stainless steel A2.



PART NO/REF	M	D <sub>1</sub>	D <sub>2</sub>	K	L	L <sub>1</sub>	G
	Ø (mm)	Ø (mm)	Ø (mm)	(mm)	(mm)	(mm)	min-max (mm)
ENKB0435	M4	5.9	9.0	1.5	15.5	4.0	1.5-3.0
ENKB0540	M5	6.9	10.0	1.5	18.0	4.0	1.5-3.5
ENKB0645	M6	8.9	12.0	1.5	22.0	4.0	1.5-4.0
ENKB0845	M8	10.9	14.0	1.5	25.0	4.0	2.0-4.5

	DRILLING	RECOMMENDED MAX TORQUE	PULL-OUT	SHEAR
M (mm)	(mm)	(Nm)	(N)	(N)
M4	6.0	7.0	6 800	2 600
M5	7.0	10.0	11 700	2 900
M6	9.0	20.0	18 000	4 900
M8	11.0	28.0	24 000	6 800