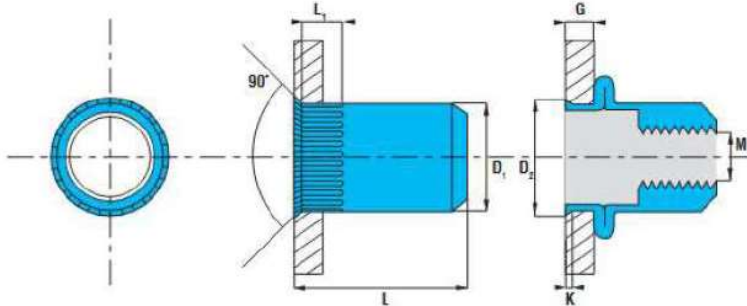


ENR - STAINLESS A2 KNURLED REDUCED INSERT

Insert/Knurled. Reduced countersunk head. Stainless steel A2.



PART NO/REF	M	D ₁	D ₂	K	L	L ₁	G
	Ø (mm)	Ø (mm)	Ø (mm)	(mm)	(mm)	(mm)	min-max (mm)
ENR0430	M4	5.9	7.0	0.6	10.0	4.0	0.5-3.0
ENR0530	M5	6.9	8.0	0.6	11.5	4.0	0.5-3.0
ENR0630	M6	8.9	10.0	0.6	14.0	4.0	0.5-3.0
ENR0660	M6	8.9	10.0	0.6	16.0	4.0	3.0-6.0
ENR0830	M8	10.9	12.0	0.6	15.5	4.0	0.5-3.0
ENR0860	M8	10.9	12.0	0.6	18.5	4.0	3.0-6.0
ENR1035	M10	12.9	13.5	0.8	19.5	4.5	0.8-3.5
ENR1060	M10	12.9	13.5	0.8	22.0	4.5	3.5-6.0
ENR1240	M12	15.9	17.6	1.0	24.0	5.0	1.0-4.0

	DRILLING	RECOMMENDED MAX TORQUE	PULL-OUT	SHEAR
M (mm)	(mm)	(Nm)	(N)	(N)
M4	6.0	7.0	6 800	2 600
M5	7.0	10.0	11 700	2 900
M6	9.0	20.0	18 000	4 900
M8	11.0	28.0	24 000	6 800
M10	13.0	38.0	29 000	7 800
M12	16.0	45.0	36 000	9 500