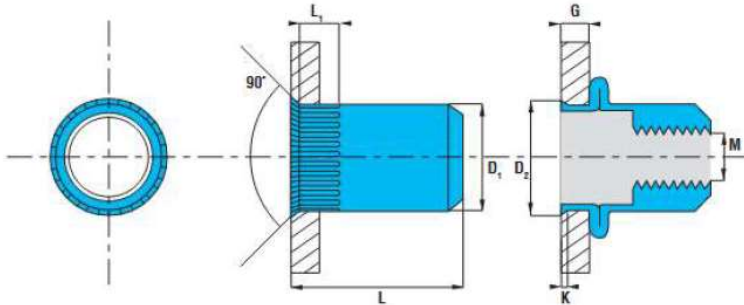


# ENR - STAINLESS A4 KNURLED REDUCED INSERT

Insert/Knurled. Reduced countersunk head. Stainless steel A4.



PART NO/REF	M	D <sub>1</sub>	D <sub>2</sub>	K	L	L <sub>1</sub>	G
	Ø (mm)	Ø (mm)	Ø (mm)	(mm)	(mm)	(mm)	min-max (mm)
ENR0430A4	M4	5.9	7.0	0.6	10.0	4.0	0.5-3.0
ENR0530A4	M5	6.9	8.0	0.6	11.5	4.0	0.5-3.0
ENR0630A4	M6	8.9	10.0	0.6	14.0	4.0	0.5-3.0
ENR0830A4	M8	10.9	12.0	0.6	15.5	4.0	0.5-3.0

	DRILLING	RECOMMENDED MAX TORQUE	PULL-OUT	SHEAR
M (mm)	(mm)	(Nm)	(N)	(N)
M4	6.0	7.0	6 800	2 600
M5	7.0	10.0	11 700	2 900
M6	9.0	20.0	18 000	4 900
M8	11.0	28.0	24 000	6 800