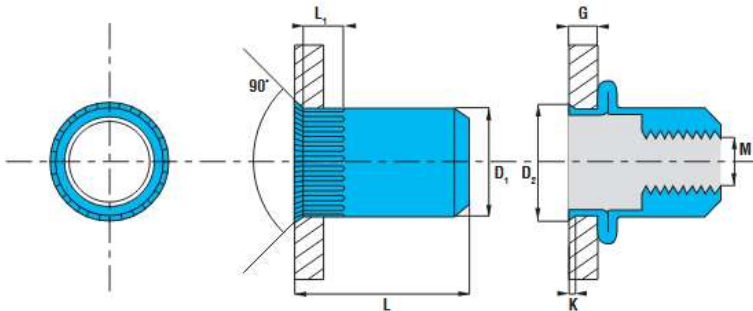


ENRI - STAINLESS A2 REDUCED IMPERIAL HOLE INSERT

Insert. Reduced countersunk head. Stainless steel A2.



PART NO/REF	M	D ₁	D ₂	K	L	L ₁	G
	Ø (mm)	Ø (mm)	Ø (mm)	(mm)	(mm)	(mm)	min-max (mm)
ENRI0430	M4	6.3	7.0	0.6	10.0	4.0	0.5-3.0
ENRI0530	M5	7.1	8.0	0.6	11.5	4.0	0.5-3.0
ENRI0630	M6	9.5	10.0	0.6	14.0	4.0	0.5-3.0
ENRI0830	M8	10.5	12.0	0.6	15.5	4.0	0.5-3.0

	DRILLING	RECOMMENDED MAX TORQUE	PULL-OUT	SHEAR
M (mm)	(mm)	(Nm)	(N)	(N)
M4	6.4	7.0	6 800	2 600
M5	7.2	10.0	11 700	2 900
M6	9.6	20.0	18 000	4 900
M8	10.6	28.0	24 000	6 800