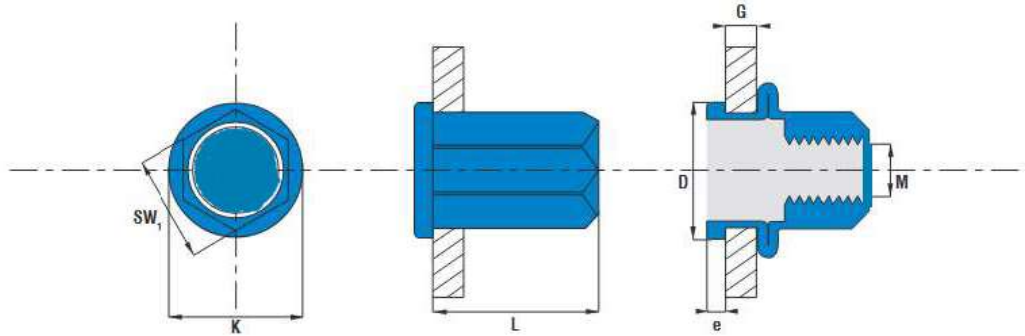


# HCDB - STEEL FULL HEXAGON FLANGE CLOSED END INSERT

Insert. Hexagon Body. Steel zinc.



PART NO/REF	M	L	K	e	D	SW1	G
	Ø (mm)	(mm)	(mm)	(mm)	(mm)	(mm)	min-max (mm)
HCDB0430	M4	14.0	9.0	1.0	9.0	6.0	0.5-2.0
HCDB0530	M5	17.0	10.0	1.0	10.0	7.0	0.5-2.5
HCDB0630	M6	21.5	12.7	1.5	12.7	9.0	0.5-3.0
HCDB0830	M8	24.5	16.0	1.5	16.0	11.0	1.0-3.5
HCDB1040	M10	31.0	19.0	2.0	19.0	13.0	1.0-4.0

	RECOMMENDED MAX TORQUE	PULL-OUT	SHEAR
M (mm)	(Nm)	(N)	(N)
M4	5.0	3 530	1 470
M5	10.3	4 900	1 760
M6	18.0	14 700	2 940
M8	24.8	28 000	4 400
M10	37.0	35 000	5 300