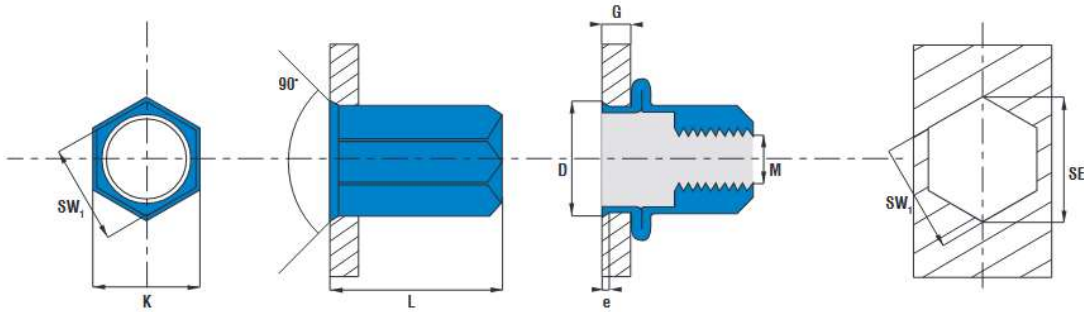


# HCR - STEEL HEXAGON REDUCED INSERT

Insert. Hexagon Body. Steel zinc.



PART NO/REF	M	L	K	e	D	SW1	G
	Ø (mm)	(mm)	(mm)	(mm)	(mm)	(mm)	min-max (mm)
HCR0425	M4	12.0	7.0	0.8	7.0	6.0	0.5-3.0
HCR0525	M5	14.0	8.0	0.8	8.0	7.0	0.5-3.0
HCR0625	M6	16.0	10.0	0.8	10.0	9.0	0.5-3.0
HCR0660	M6	18.0	10.0	0.8	10.0	9.0	3.0-6.0
HCR0825	M8	18.0	12.0	0.8	12.0	11.0	0.5-3.0
HCR0860	M8	19.0	12.0	0.8	12.0	11.0	3.0-6.0
HCR1045	M10	22.0	14.0	0.8	14.0	13.0	0.5-4.0
HCR1060	M10	25.0	14.0	0.8	14.0	13.0	3.0-6.0
HCR1240	M12	25.0	17.0	1.0	17.0	16.0	1.0-4.0

	RECOMMENDED MAX TORQUE	PULL-OUT	SHEAR
M (mm)	(Nm)	(N)	(N)
M4	5.0	6 000	1 900
M5	10.3	10 800	2 400
M6	18.0	20 000	3 000
M8	24.8	28 000	3 000
M10	37.0	40 000	3 500
M12	49.0	45 000	4 000