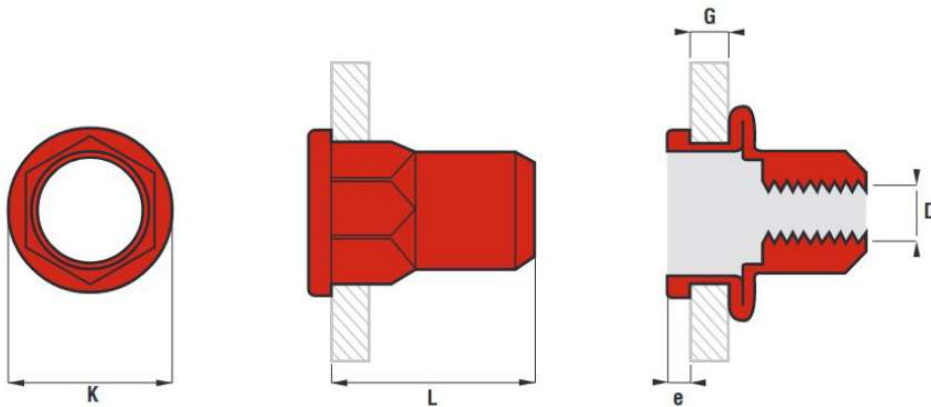


# HHCD - STEEL HALF HEXAGON FLANGE INSERT

Insert / half hexagon. Flange half hexagon. Steel + zinc plated.



PART NO/REF	M	Hexagon		K	L	e	G
	Ø (mm)	Min(mm)	Max(mm)	(mm)	(mm)	(mm)	min-max (mm)
HHCD0430	M4	5.9	6.3	9.5	11.5	1.1	0.5-3.0
HHCD0530	M5	6.9	7.3	10.5	13.5	1.1	0.5-3.0
HHCD0630	M6	8.9	9.3	12.5	15.5	1.6	0.5-3.0
HHCD0830	M8	10.9	11.3	14.5	17.5	1.6	0.5-3.0
HHCD1040	M10	12.9	13.3	16.5	22.0	2.1	1.0-4.0
HHCD1240	M12	15.9	17.0	23.0	27.5	2.2	2.0-5.0

	RECOMMENDED MAX TORQUE	PULL-OUT	SHEAR
M (mm)	(Nm)	(N)	(N)
M4	7.9	6 400	2 300
M5	12.2	11 000	3 600
M6	20.5	18 000	4 300
M8	26.7	28 000	5 000
M10	40.0	30 000	6 000
M12	80.0	45 000	16 000