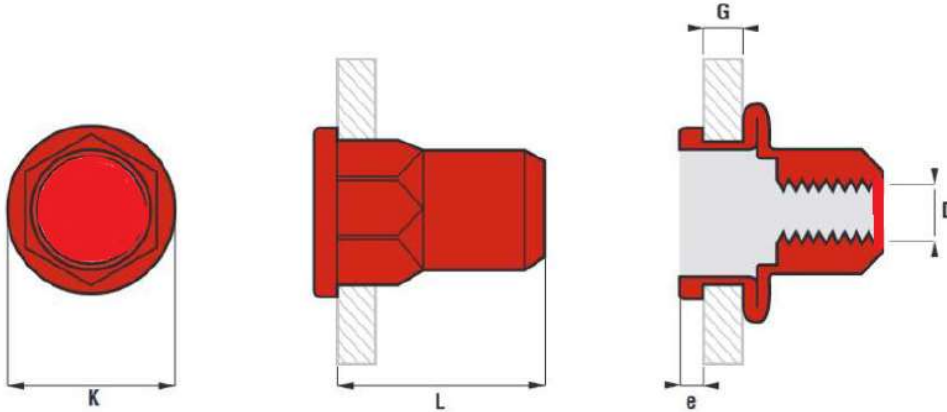


HHCDB - STEEL HALF HEXAGON FLANGE CLOSED END INSERT

Insert / half hexagon. Flange half hexagon. Steel + zinc plated.



PART NO/REF	M		K	L	e	G
	Ø (mm)	(mm)	(mm)	(mm)	(mm)	min-max(mm)
HHCDB0430	M4	6.1	8.5	16.0	1.0	0.5-3.0
HHCDB0530	M5	7.1	9.5	19.0	1.0	0.5-3.0
HHCDB0630	M6	9.1	12.0	21.5	1.5	0.5-3.0
HHCDB0830	M8	11.1	14.5	25.0	1.5	0.5-3.0
HHCDB1040	M10	13.1	16.0	35.5	2.0	1.0-4.0

	RECOMMENDED MAX TORQUE	PULL-OUT	SHEAR
M (mm)	(Nm)	(N)	(N)
M4	3.0	6 800	2 300
M5	6.0	10 000	3 600
M6	10.0	15 000	4 300
M8	24.0	27 000	5 000
M10	48.0	37 000	6 000