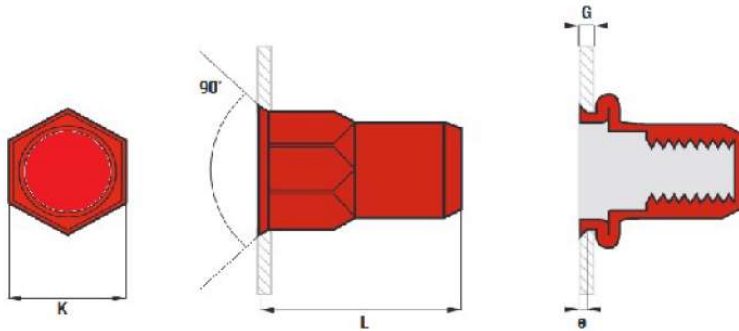


HHCRB - STEEL HALF HEXAGON REDUCED INSERT CLOSED END

Insert. Reduced half hex closed end. Steel + zinc plated.



PART NO/REF	M	K	Hexagon		L	e	G
	Ø (mm)	Ø (mm)	Min	Max	(mm)	(mm)	min-max (mm)
HHCRB0430	M4	7.0	5.9	6.3	15.5	0.5	0.5-2.0
HHCRB0530	M5	8.0	6.9	7.3	18.0	0.5	0.5-2.5
HHCRB0630	M6	10.0	8.9	9.3	21.5	0.5	0.5-3.0
HHCRB0830	M8	12.0	10.9	11.9	24.0	0.5	1.0-3.5
HHCRB1040	M10	14.5	13.0	13.1	36.5	0.7	1.0-4.0

	RECOMMENDED MAX TORQUE	PULL-OUT	SHEAR
M (mm)	(Nm)	(N)	(N)
M4	5.0	3 530	1 470
M5	10.3	4 900	1 760
M6	18.0	14 700	2 940
M8	24.8	28 000	4 400
M10	37.0	35 000	5 300