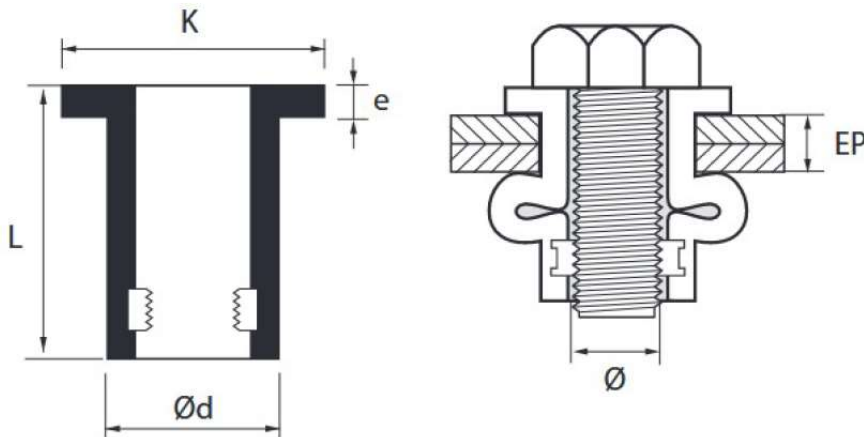


RN - RUBBER NUT WITH BRASS INSERT

Rubber nut. Cylindrical head. Rubber / Brass.



| PART NO/REF | M | Torque | e | K | L | Hole | G |
|-------------|--------|-----------|------|------|------|------|--------------|
| | Ø (mm) | (Nm) | (mm) | (mm) | (mm) | (mm) | min-max (mm) |
| RN0313 | M3 | 2.5-4.0 | 1.2 | 11.0 | 12.6 | 8.0 | 0.4-4.0 |
| RN0411 | M4 | 2.5-4.0 | 1.2 | 11.0 | 12.6 | 8.0 | 0.4-4.0 |
| RN0515 | M5 | 3.5-5.0 | 3.2 | 13.0 | 14.0 | 10.0 | 0.4-4.9 |
| RN0525 | | 3.0-7.0 | 1.3 | 14.0 | 26.5 | 10.0 | 7.9-15.0 |
| RN0540 | | 6.0-10.0 | 1.3 | 14.0 | 39.0 | 10.0 | 20.5-30.0 |
| RN0615 | M6 | 6.0-10.0 | 1.3 | 16.0 | 16.0 | 13.0 | 0.4-4.0 |
| RN0625 | | 8.0-10.0 | 2.0 | 16.0 | 26.7 | 13.0 | 6.4-11.5 |
| RN0825 | M8 | 10.0-16.0 | 5.7 | 21.5 | 27.9 | 16.0 | 4.0-9.5 |
| RN0850 | | 30.0-40.0 | 1.6 | 20.0 | 50.0 | 18.0 | 15.0-35.0 |
| RN1055 | M10 | 45.0-50.0 | 1.3 | 22.5 | 55.0 | 20.0 | 19.0-38.0 |
| RN1275 | M12 | 60.0-70.0 | 1.3 | 27.0 | 79.0 | 24.0 | 38.0-56.0 |