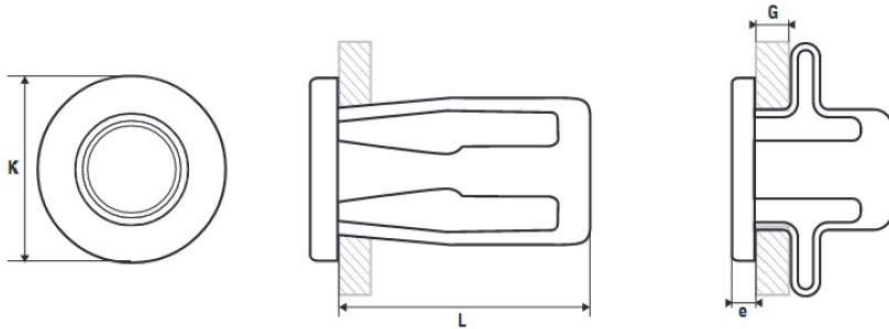


# SPYDER - STEEL SLOTTED INSERT

Insert. Cylinder head. Steel + zinc plated.



PART NO/REF	M	K	L	e	Hole	G
	Ø (mm)	Ø (mm)	(mm)	(mm)	(mm)	(mm)
SPYDERXS4	M4	12.4	16.8	1.6	8.0	0.38-4.75
SPYDERXS5	M5	14.0	18.4	1.6	10.0	0.38-4.75
SPYDERXS6	M6	16.0	18.6	1.6	12.0	0.38-4.75
SPYDERXS8	M8	18.0	25.5	1.8	15.0	0.38-4.75