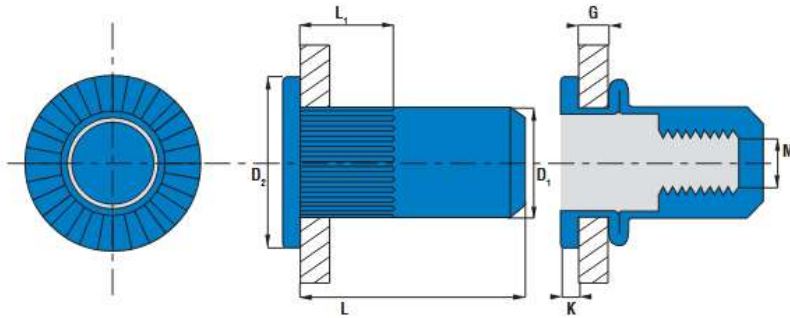


# TCBD - STEEL KNURLED FLANGE HEAD CLOSED END INSERT

Insert/Knurled. Cylindrical head. Steel + zinc plated.



PART NO/REF	M	D <sub>1</sub>	D <sub>2</sub>	K	L	L <sub>1</sub>	G
	Ø (mm)	Ø (mm)	Ø (mm)	(mm)	(mm)	(mm)	min-max (mm)
TCBD0430	M4	5.9	9.0	1.0	15.5	4.0	0.3-3.0
TCBD0530	M5	6.9	10.0	1.0	18.0	4.0	0.3-3.0
TCBD0630	M6	8.9	12.0	1.5	20.5	4.0	0.5-3.0
TCBD0660	M6	8.9	12.0	1.5	24.5	4.0	5.5-8.0
TCBD0830	M8	10.9	15.0	1.5	25.5	4.0	0.5-3.0
TCBD1030	M10	12.9	16.0	2.1	28.0	4.0	0.5-3.0

	DRILLING	RECOMMENDED MAX TORQUE	PULL-OUT	SHEAR
<b>M (mm)</b>	<b>(mm)</b>	<b>(Nm)</b>	<b>(N)</b>	<b>(N)</b>
M4	6.0	4.5	4 840	1 600
M5	7.0	6.0	11 070	2 700
M6	9.0	20.0	17 600	3 400
M8	11.0	29.0	27 000	4 400
M10	13.0	32.0	29 400	4 900