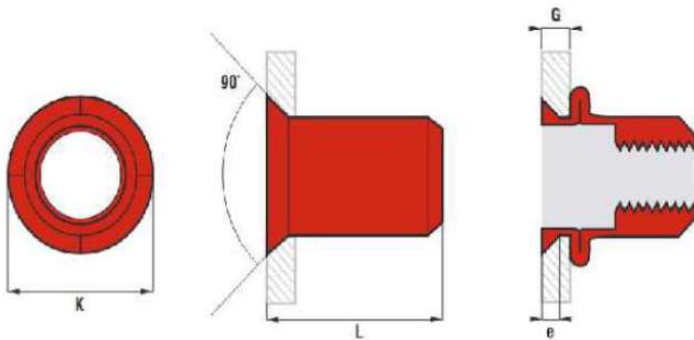


TCK-P STEEL PLAIN BODY COUNTERSUNK HEAD INSERT

Insert. Countersunk head. Steel + zinc plated.



PART NO/REF	M	Hole		K	e	L	G
	Ø (mm)	Min (mm)	Max (mm)	(mm)	(mm)	(mm)	min-max (mm)
TCK0435P	M4	5.8	6.2	9.0	1.5	11.5	1.5-3.5
TCK0540P	M5	6.8	7.2	10.0	1.5	13.5	1.5-4.0
TCK0645P	M6	8.8	9.2	12.0	1.5	16.0	1.5-4.5
TCK0845P	M8	10.8	11.2	14.0	1.5	19.0	1.5-4.5

	DRILLING	RECOMMENDED MAX TORQUE	PULL-OUT	SHEAR
M (mm)	(mm)	(Nm)	(N)	(N)
M4	6.0	4.0	8 000	2 200
M5	7.0	5.0	11 000	2 300
M6	9.0	15.0	17 000	3 700
M8	11.0	18.0	31 400	4 800