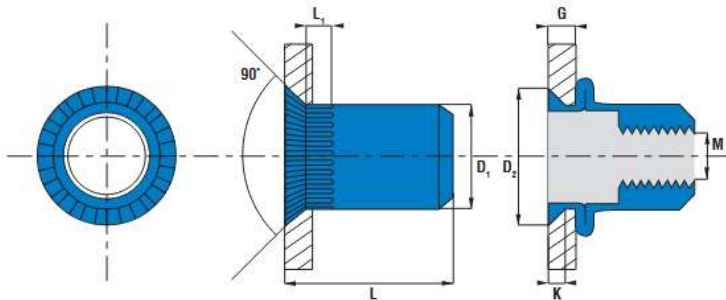


TCK - STEEL KNURLED COUNTERSUNK INSERT

Insert/Knurled. Countersunk head. Steel + zinc plated.



PART NO/REF	M	D ₁	D ₂	K	L	L ₁	G
	Ø (mm)	Ø (mm)	Ø (mm)	(mm)	(mm)	(mm)	min-max (mm)
TCK0435	M4	5.9	9.0	1.5	11.5	4.5	1.5-3.5
TCK0540	M5	6.9	10.0	1.5	13.5	5.0	1.5-4.0
TCK0645	M6	8.9	12.0	1.5	16.0	5.5	1.5-4.5
TCK0660	M6	8.9	12.0	1.5	18.0	5.5	4.5-6.0
TCK0845	M8	10.9	14.0	1.5	19.0	5.5	1.5-4.5
TCK1045	M10	12.9	15.0	1.5	21.0	5.5	1.5-4.5
TCK1065	M10	11.9	15.0	1.5	24.0	5.5	4.0-6.5
TCK1265	M12	15.9	19.0	1.9	27.5	7.0	4.5-7.5

	DRILLING	RECOMMENDED MAX TORQUE	PULL-OUT	SHEAR
M (mm)	(mm)	(Nm)	(N)	(N)
M4	6.0	4.0	8 000	2 200
M5	7.0	5.0	11 000	2 300
M6	9.0	15.0	17 000	3 700
M8	11.0	18.0	31 400	4 800
M10	12.0 & 13.0	28.0	35 000	5 300
M12	16.0	43.7	48 000	6 800