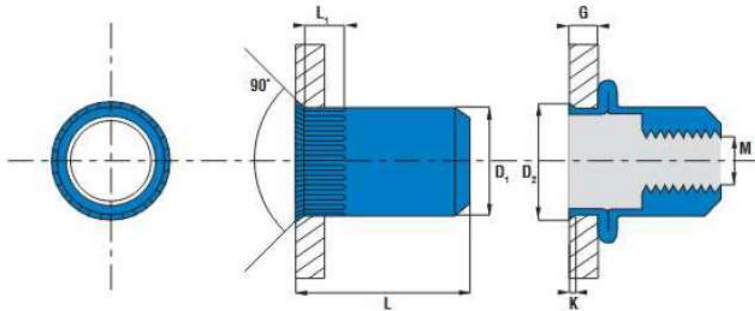
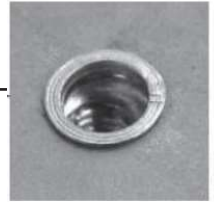


TCR - STEEL KNURLED REDUCED INSERT

Insert/Knurled. Reduced countersunk head. Steel + zinc plated.



PART NO/REF	M	D ₁	D ₂	K	L	L ₁	G
	Ø (mm)	(mm)	(mm)	(mm)	(mm)	(mm)	min-max (mm)
TCR0325	M3	4.9	6.0	0.5	9.0	4.0	0.5-2.5
TCR0430	M4	5.9	7.0	0.6	10.0	4.0	0.5-3.0
TCR0530	M5	6.9	8.0	0.6	11.5	4.0	0.5-3.0
TCR0550		6.9	8.0	0.6	13.0	4.0	3.0-5.5
TCR0630	M6	8.9	10.0	0.6	14.0	4.0	0.5-3.0
TCR0660		8.9	10.0	0.6	16.0	4.0	3.0-6.0
TCR0830	M8	10.9	12.0	0.6	15.5	4.0	0.5-3.0
TCR0860		10.9	12.0	0.6	18.5	4.0	3.0-6.0
TCR1035(12)	M10	11.9	13.0	0.8	19.5	4.5	0.8-3.5
TCR1035	M10	12.9	13.5	0.8	19.5	4.5	0.8-3.5
TCR1060		12.9	13.5	0.8	22.0	4.5	3.0-6.0
TCR1240	M12	16.0	17.0	1.0	24.2	4.5	1.0-4.0

	DRILLING	RECOMMENDED MAX TORQUE	PULL-OUT	SHEAR
M (mm)	(mm)	(Nm)	(N)	(N)
M3	5.0	2.5	2 200	800
M4	6.0	4.0	6 600	1 600
M5	7.0	5.0	9 200	2 200
M6	9.0	15.0	17 000	2 400
M8	11.0	18.0	22 000	2 900
M10	13.0	30.0	32 400	4 300
M12	16.0	40.0	44 000	6 000