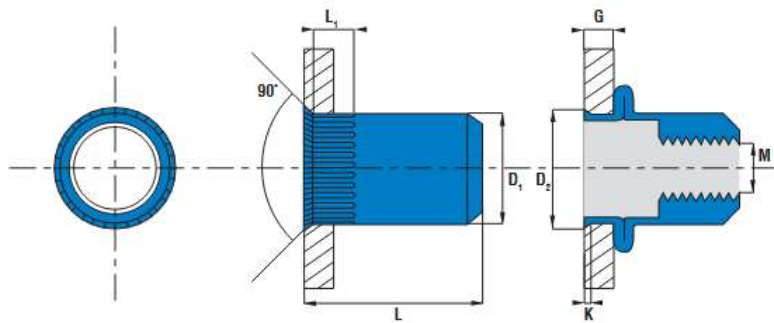


TCRI-S - STEEL KNURLED IMPERIAL HOLES REDUCED HEAD INSERT



Insert / knurled. Reduced countersunk head. Steel + zinc pated.



PART NO/REF	M	D ₁	D ₂	K	L	L ₁	G
	Ø (mm)	Ø (mm)	Ø (mm)	(mm)	(mm)	(mm)	min-max (mm)
TCRI0330S	M3	4.7	5.4	0.4	9.0	3.5	0.5-1.5
TCRI0425S	M4	6.3	7.0	0.5	10.5	4.0	0.5-2.5
TCRI0525S	M5	7.1	7.8	0.5	12.0	4.0	0.5-2.5
TCRI0625S	M6	9.5	10.3	0.6	15.0	4.0	0.5-3.0
TCRI0830S	M8	10.5	11.4	0.6	16.0	4.0	0.5-3.0

	DRILLING	RECOMMENDED MAX TORQUE	PULL-OUT	SHEAR
M (mm)	(mm)	(Nm)	(N)	(N)
M3	4.8	3.0	4 000	1 200
M4	6.4	4.0	6 000	1 600
M5	7.2	5.0	9 200	2 200
M6	9.6	15.0	17 000	2 400
M8	10.6	18.0	22 000	2 900