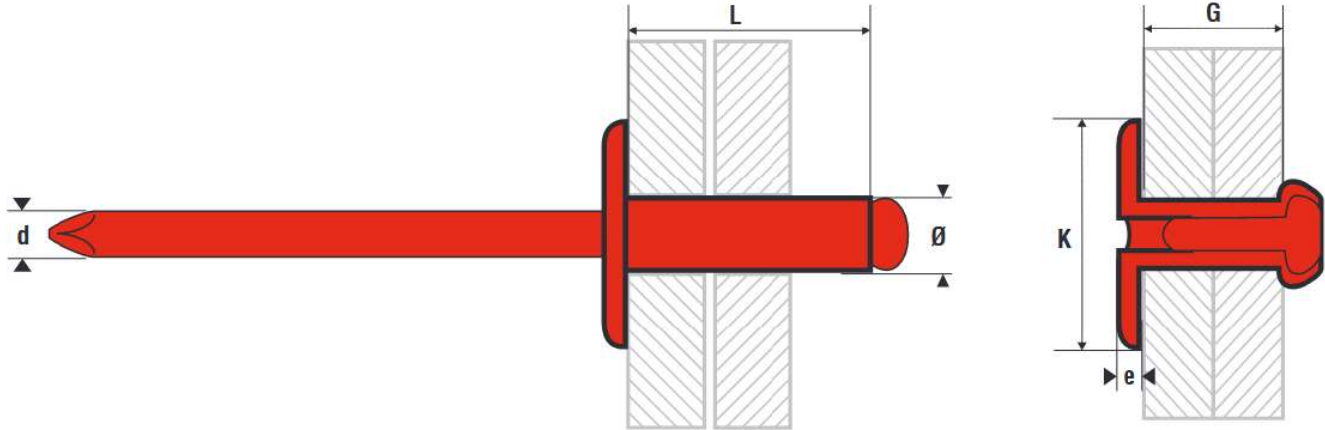


# SL - LARGE FLANGE

Mandrel: Steel. Body: Steel. Large Flange.



Ø mm (inches)	L mm	G mm		K mm	e mm	d mm	←→ N	⇄ N	▨ mm		Référence
		min.	max.						min.	max.	
<b>4.8</b> (3/16")	10.0	4.0	6.0	14.0	1.6	2.9	2 900	3 100	Ø4.7	Ø5.1	SL4810
	12.0	6.0	8.0								SL4812
	14.0	7.5	9.5								SL4814
	16.0	8.0	11.0								SL4816
	18.0	10.0	13.0								SL4818
	20.0	11.0	15.0								SL4820
	25.0	15.0	19.5								SL4825