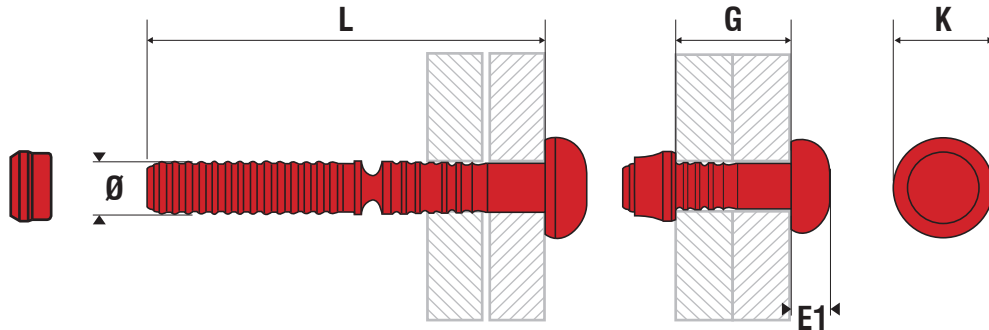


HBSD - HYPERBOLT

Mandrel: Steel. Body: Steel. Dome head.



REF/PART NB	(mm)	L	K	E1	N	N	Hole (mm)	G
		(mm)	(mm)	(mm)				Min-Max (mm)
HBSD0602	4.8	35.66	10.0	2.87	7 500	7 800	5.0	1.6-4.78
HBSD0603		37.24						3.18-6.35
HBSD0604		38.84						4.78-7.95
HBSD0605		40.41						6.35-9.53
HBSD0606		42.01						7.95-11.13
HBSD0607		45.09						9.53-12.7
HBSD0608		45.19						11.13-14.3
HBSD0610		48.36						14.3-17.48
HBSD0802	6.4	39.60	13.34	3.86	14 200	14 400	6.6	1.6-4.77
HBSD0803		40.80						3.18-6.35
HBSD0804		41.80						4.77-7.95
HBSD0805		43.50						6.35-9.53
HBSD0806		45.00						7.95-11.13
HBSD0808		48.10						11.13-14.30
HBSD0810		51.30						14.30-17.48
HBSD1006		8.0						51.70
HBSD1008	54.86		9.53-15.88					
HBSD1010	58.00		12.70-19.05					
HBSD1204	9.6	53.90	19.99	6.30	34 000	32 000	9.8	3.18-9.53
HBSD1206		57.00						6.35-12.70
HBSD1210		63.40						12.70-19.05

Shell:

D ₁	D ₂	E ₂	Reference
mm (inches)	mm	mm	
	max.	max.	
4.8	7.9	6.6	HBSD-06
6.4	10.39	8.13	HBSD-08
8.0	12.55	9.65	HBSD-10
9.6	15.24	11.68	HBSD-12