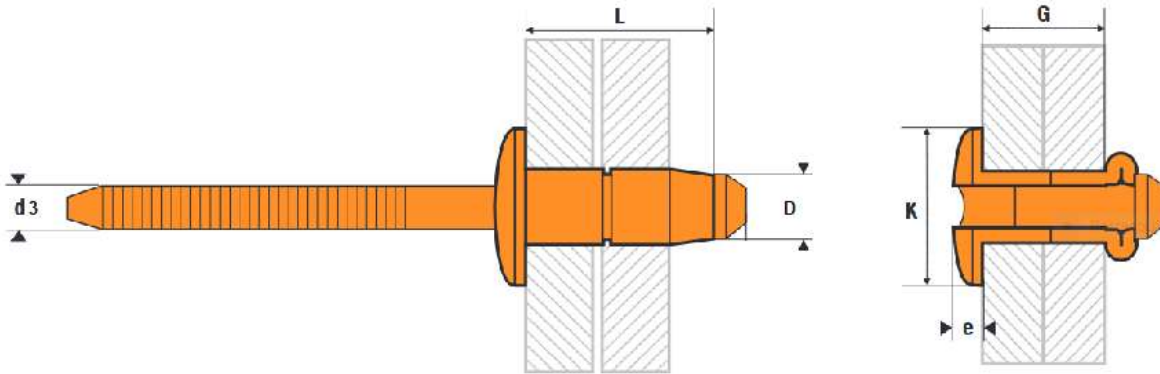
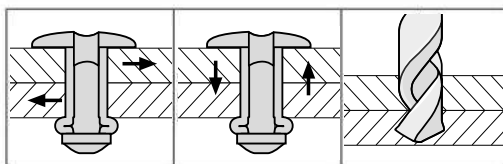


# HPHD - HYPERIV RIVET

Mandrel: Aluminium. Body: Aluminium. Dome head.



PART NO/REF	D	L	D3	K	e	P	G
	(mm)	(mm)	(mm)	(mm)	(mm)	(mm)	Min-Max (mm)
HPHD64100	6.4	10.5	4.2	13.4	2.2	30.0	2.8-4.8
HPHD64120	6.4	12.5	4.2	13.4	2.2	30.0	4.8-6.8
HPHD64140	6.4	14.5	4.2	13.4	2.2	30.0	6.8-8.8
HPHD64160	6.4	16.5	4.2	13.4	2.2	30.0	8.8-10.8
HPHD64180	6.4	18.5	4.2	13.4	2.2	30.0	10.8-12.8



D <sub>1</sub> (mm)	(N)	(N)	Ø (mm)
6.4	5 000	3 000	6.5-6.8