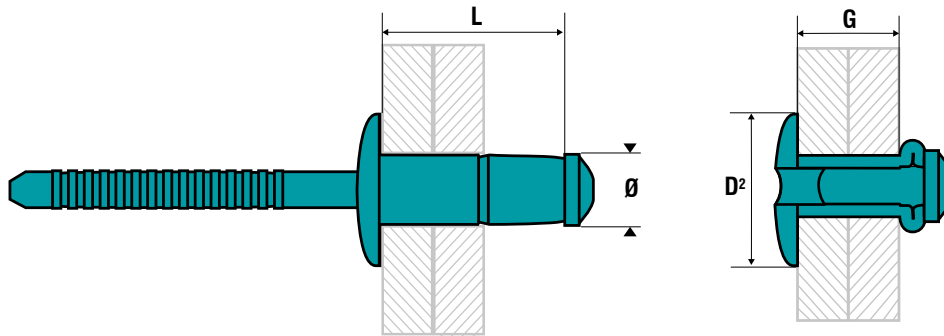
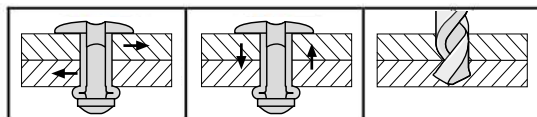


HPTD - HYPERIV RIVET

Mandrel: Stainless Steel. Body: Stainless Steel. Dome head.



PART NO/REF	D1	L	D2	K	D3	P	G
	Ø (mm)	(mm)+1.0 / -0.2	Ø (mm)	(mm)	Ø (mm)	mini (mm)	min-max (mm)
HPTD3207	3.2	7.0	6.0	1.4	2.10	27.0	1.0-3.0
HPTD3209		9.0					3.0-5.0
HPTD3211		11.0					5.0-7.0
HPTD4008	4.0	8.0	7.8	1.7	2.60	27.0	1.0-3.0
HPTD4010		10.0					3.0-5.0
HPTD4012		12.0					5.0-7.0
HPTD4809	4.8	9.0	9.3	2.0	3.30	27.0	1.5-3.5
HPTD4812		12.0					3.5-6.0
HPTD4814		14.0					6.0-8.5
HPTD6410	6.4	10.5	13.4	3.5	4.20	30.0	2.0-4.5
HPTD6412		12.5					3.5-6.5
HPTD6414		14.5					5.5-8.5
HPTD6416		16.5					7.5-10.5
HPTD6418		18.5					9.5-12.5
HPTD6420		20.5					11.0-14.0



D1 (mm)	(N)	(N)	Ø (mm)
3.2	1 600	2 000	3.3-3.4
4.0	3 700	4 000	4.1-4.3
4.8	5 500	5 000	4.9-5.1
6.4	8 300	14 500	6.6-6.8