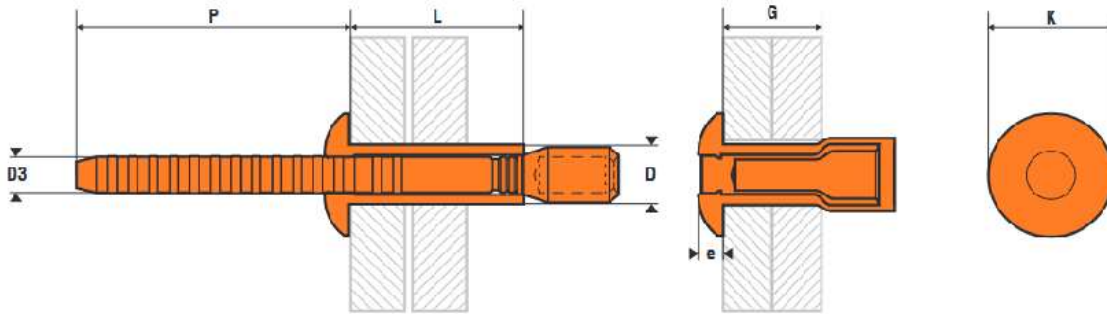
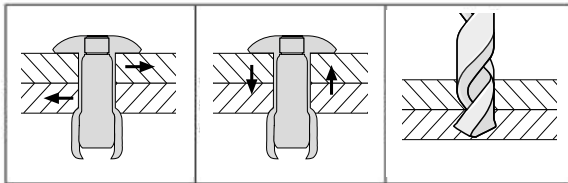


# SPHD - SUPERIV STRUCTURAL RIVET

Mandrel: Aluminium. Body: Aluminium. Dome Head.



PART NO/REF	D	L	D3	K	e	P	G
	(mm)	(mm)	(mm)	(mm)	(mm)	(mm)	Min-Max (mm)
SPHD48100	4.8	10.5	3.0	9.8	2.1	25.4	1.6-6.9
SPHD48140	4.8	14.5	3.0	9.8	2.1	25.4	5.4-11.1
SPHD64140	6.4	14.2	4.0	13.0	2.8	25.4	2.0-9.5
SPHD64200	6.4	20.5	4.0	13.0	2.8	25.4	5.4-11.1



D <sub>1</sub> (mm)	(N)	(N)	Ø (mm)
4.8	2 697	2 256	4.9-5.1
6.4	5 788	3 963	6.62-6.9