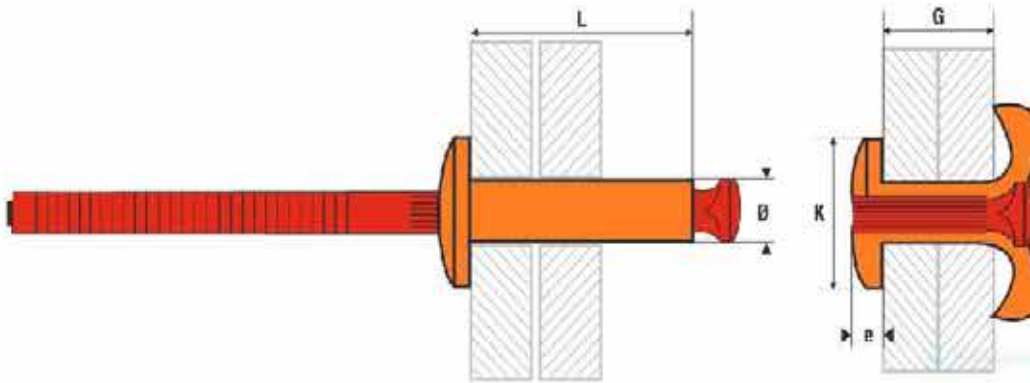


TLPD - T LOCK STRUCTURAL RIVET

Mandrel: Steel. Body: Aluminium. Dome head.



PART NO/REF	Ø	L	e	K	HOLE		G
	(mm)	(mm)	(mm)	(mm)	Min (mm)	Max (mm)	Min-Max(mm)
TLD6412	6.4	12.0	2.2	12.8	6.6	7.0	1.6-3.2
TLD6416	6.4	16.8	2.2	12.8	6.6	7.0	6.4-7.9
TLD6418	6.4	18.3	2.2	12.8	6.6	7.0	8.0-9.5
TLD6420	6.4	20.0	2.2	12.8	6.6	7.0	9.6-11.1
TLD6425	6.4	24.5	2.2	12.8	6.6	7.0	13.2-16.0

